

## BOILER OUTPUT CONTROL



### RT3E Thermostatic draft regulator, electric operated

Electric controlled draft regulator works like RT4, moreover it permits reducing boiler flow temperature on an electric signal. Both flow temperature and heat output can be controlled by a room thermostat or another electronic controller.

It is fitted with a 3m silicone cable.

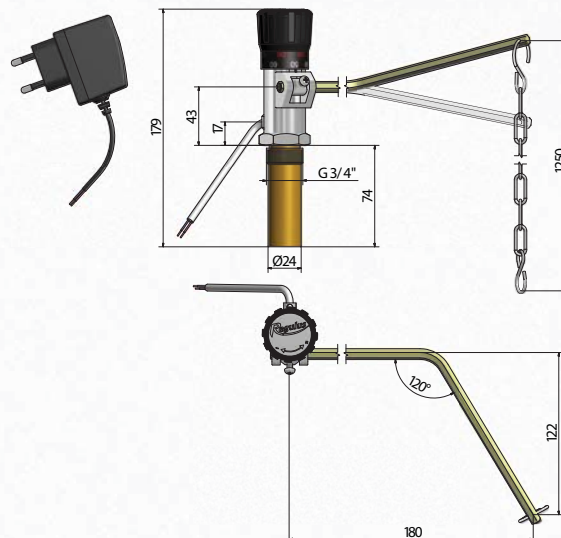
When energized with 12V tension, the regulator will reduce the boiler flow temperature.

When not energized, it keeps the temperature at the value set by the knob.

The regulator can be also controlled continuously by 0-12V.

It is supplied either separately or as a kit containing a 12V power supply and either a TP546 mechanical thermostat or a TP44 electronic programmable thermostat.

### Dimensions

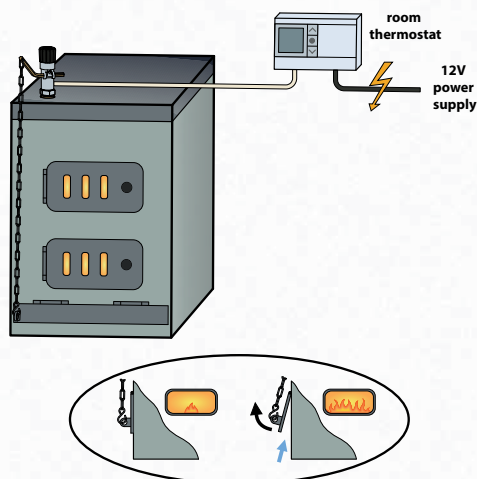


### Kits with a thermostat

RT3E - TP44



RT3E - TP546



RT3E Regulator is protected by a patent.



Version	RT3E	RT3E+TP44	RT3E+TP546
Code	7191	9138	9139