

Operation and Maintenance Instructions

Neutralization Box



Neutralization Box is necessary for neutralization of acid condensate from condensing boilers.

It contains special filling that has two functions: it controls pH value of the condensate and eliminates metal oxides.

TECHNICAL DATA

Dimensions	400 x 300 x200 mm high
Net weight	19 kg
Power supply	cca 23 kg
Power supply	not needed
Connection	5/4" inlet/outlet

DESCRIPTION AND APPLICATION

Condensate originating from condensing boiler operation is acid, so it is advisable to neutralize it. When passing through the neutralization box, it flows through inert materials that act in several ways: they absorb nitrates and sulphates, increasing pH at the same time. The acidity can be checked using a litmus paper or a special pH measuring kit.

Suitable for boilers of up to 800 kW output.

APPLICATION

The manufacturer bears no responsibility for improper use; in such a case warranty becomes null and void.

WARNING

Handle the filling with care, using suitable protective means (goggles, gloves, face mask). Pay attention to the powder; in case of accidental contact with eyes wash them with abundant water and consult a doctor.

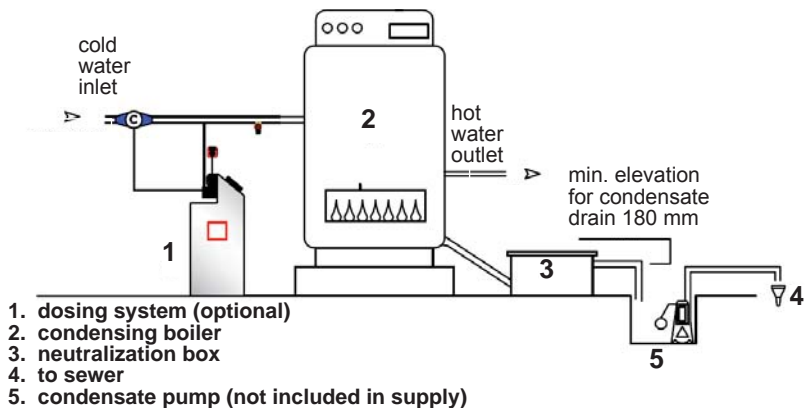
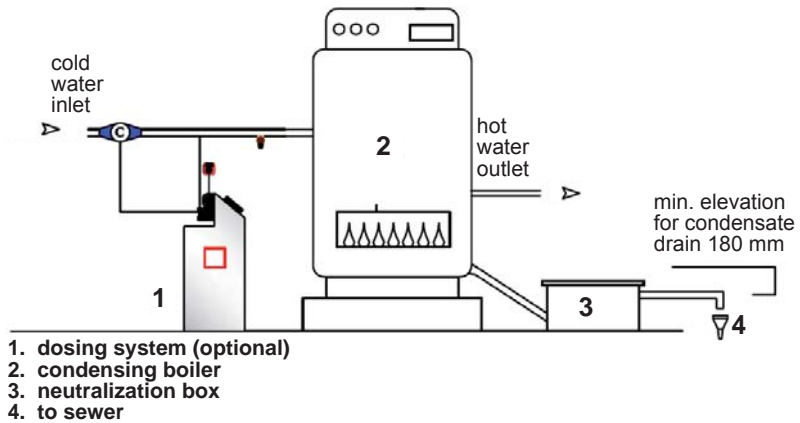
INSTALLATION

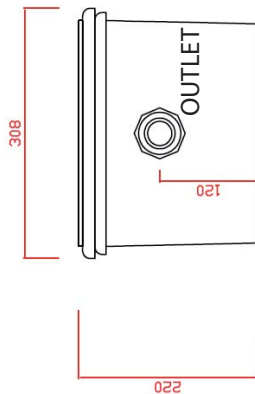
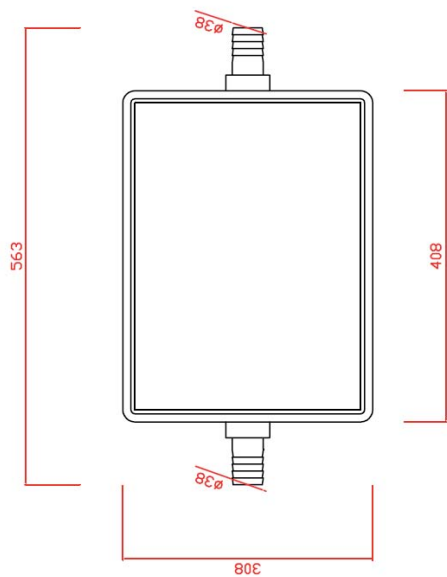
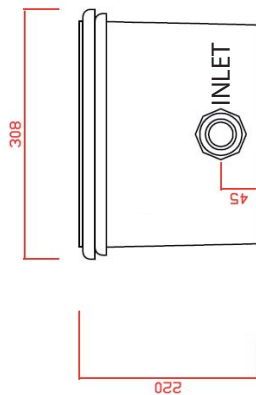
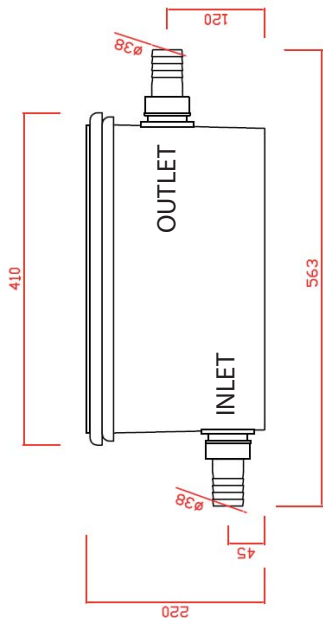
- Place the device on a floor, downstream the condensate flow.
- Since the device works on a gravity principle, its inlet shall be at least 180 mm below the condensate discharge pipe outlet.
- Remove the lid and put the mixture in the box.
- Connect the hoses as shown by the symbols on the device.
- **SAFETY MEASURES FOR CONDENSATE DRAIN: RISK OF FREEZING**

In order to avoid condensate freezing in the discharge pipe causing clogging which would result in boiler failure, the outdoor pipe shall be thermally insulated with weatherproof insulation. Condensate drain pipes running through unheated rooms like attic, cellar or garage are considered outdoor ones and shall be insulated as well.

IMPORTANT INFORMATION

THE INNER INERT FILLING SHALL BE REPLACED ONCE A YEAR FOR PROPER OPERATION.





09/2015

Regulus

REGULUS spol. s r.o.
 Do Koutů 1897/3
 143 00 Praha 4
 CZECH REPUBLIC

<http://www.regulus.eu>
 E-mail: sales@regulus.eu