

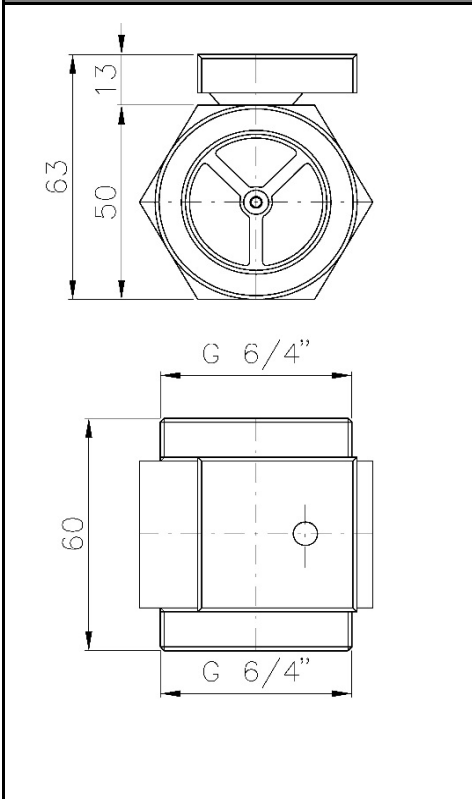
FP25 Flow Switch



Application	heating systems
Purpose	microswitch closing when a preset flow rate is exceeded
Working fluid	water, water with glycol up to 1:1 ratio
Installation position	vertical or horizontal with microswitch upwards

Operation description
 Fluid flowing around the cone inside the switch housing causes its deflection. Through a lever this is transmitted to a microswitch that closes when a preset flow rate is reached. When the flow rate drops, the microswitch opens the contacts again.

Dimensions



Technical data

Nominal pressure	PN 10
Max. working pressure	10 bar
Fluid max. working pressure	110 °C
Microswitch closing flow rate	700 l/h ± 100 l/h
Microswitch opening flow rate	600 l/h ± 100 l/h
Ambient temperature	-20 to 65 °C
Connection size	G 6/4" M
Weight	0,5 kg

Electric data	no microsw.	microswitch	microsw. w. gold-plated contacts
Max. voltage	-	240 V	240 V
Switching current	-	0,1 - 5 A	1 - 100 mA
IP rating	-	IP 40	IP 40
Code	4 744	14 843	14 844

Materials

Housing and cone guide	brass
Retaining O-ring	stainless steel
Cone, lever and box	NORYL GFN3
Microswitch	PC
Gasket	EPDM

Pressure drop

