

DATA SHEET

Four-way Mixing Valves, model LK 841

LK 841 external thread



LK 841 internal thread



Main features

Application	heating and solar systems
Description	mixing valve with rotating inner segment
Working fluid	water, antifreeze mixture for heating and solar systems and heat pumps
Installation position	any, except for shaft (motor) downwards

Control

Electric control	can be fitted with electric actuators with torque of 5 Nm or more
Manual control	by turning the knob
Opening angle	90°

Technical parameters

Max. working pressure	10 bar
Max. pressure difference	5 m H ₂ O
Fluid working pressure	5 to 110 °C (120 °C in short term)
Ambient working temperature	5 to 60 °C
Leaks	< 1.5% K _{vs} at 5 m H ₂ O pressure difference

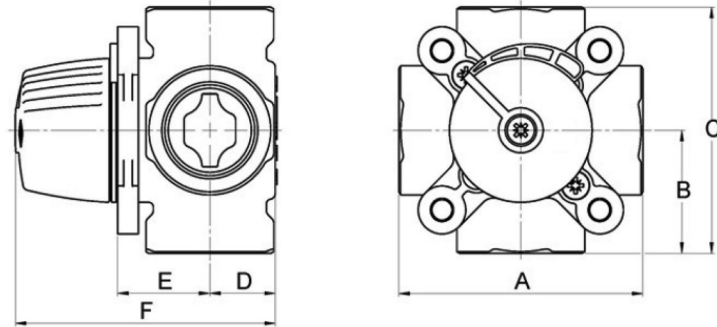
Materials

Valve body	forged brass
Valve member and spindle	brass
Inner valve bonnet	PPS
Outer valve bonnet	aluminium
Seal	EPDM

DATA SHEET

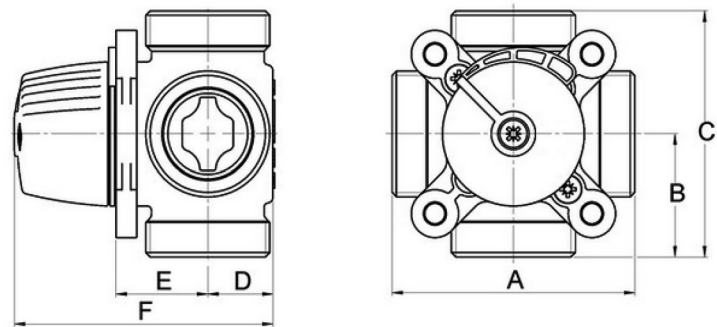
Four-way Mixing Valves, model LK 841

LK 841 internal thread



	Code	Dimensions [mm]						Weight [kg]	K _{vs} [m ³ /h]	Connection
		A	B	C	D	E	F			
LK 841 1/2F – 2.5	14859	80	40	80	20	28	82	0.7	2.5	G 1/2" F
LK 841 3/4F – 6.3 2.0	16780	70	35	70	18	29	81	0.5	6.3	G 3/4" F
LK 841 1F – 10.0 2.0	16694	70	35	70	20	29	83	0.5	10.0	G 1" F
LK 841 5/4F – 16.0 2.0	16699	84	42	84	24	32	90	0.8	16.0	G 5/4" F
LK 841 6/4F – 25.0 2.0	16783	106	53	106	33	43	110	1,6	25,0	G 6/4" F

LK 841 external thread



	Code	Dimensions [mm]						Weight [kg]	K _{vs} [m ³ /h]	Connection
		A	B	C	D	E	F			
LK 841 1M – 4.0 2.0	16776	80	40	80	18	29	81	0.5	4.0	G 1" M
LK 841 1M – 6.3 2.0	16777	80	40	80	18	29	81	0.5	6.3	G 1" M
LK 841 5/4M – 8.0	14832	82	41	82	22	31	87	0.8	8.0	G 5/4" M
LK 841 5/4M – 12.0	14833	82	41	82	22	31	87	0.8	12.0	G 5/4" M
LK 841 6/4M – 15.0	14834	84	42	84	24	32	90	0.9	15.0	G 6/4" M

DATA SHEET

Four-way Mixing Valves, model LK 841

Pressure drop diagram

