

G 6/4" ELECTRIC HEATING ELEMENTS with thermostatic head and contactor

Output: 2 - 9 kW

Application: thermal stores and hot water storage tanks



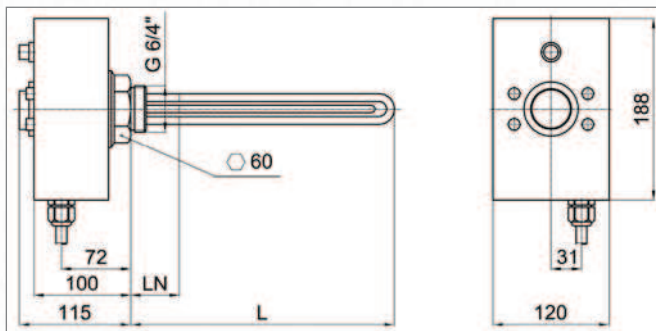
ETT-G Electric Heating Elements

Nickel-plated resistance heating elements with a **thermostatic head and contactor**, intended for heating of static heating water or antifreeze fluid in thermal stores or for drinking water heating in hot water storage tanks. These elements are not intended for stainless steel tanks. They **are suitable for drinking water heating** in hot water storage tanks.

They are designed to be installed in a horizontal position so that the element is completely immersed, the cable gland downwards. They are power supplied by a 7-core cable wired to a terminal box or fuse board.

The heating element features one input for a Ripple control signal and one for master heating system controller.

Dimensions, Models



Technical Data

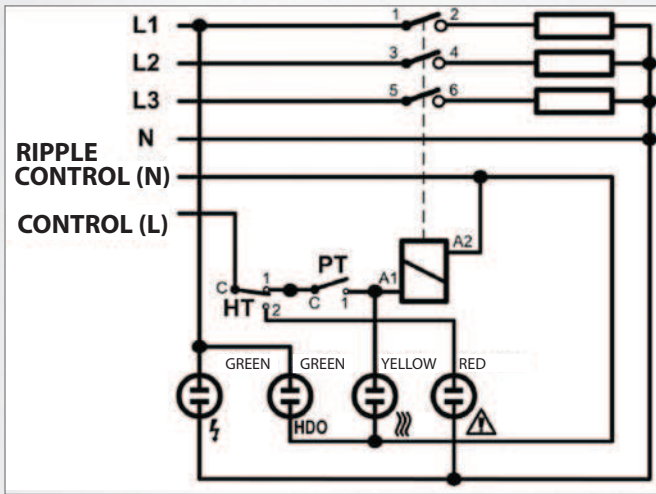
HEATING ELEMENT	nickel plated copper
CONNECTION	G 6/4" M
HEXAGON WITH G 6/4" THREAD	nickel plated brass
POWER SUPPLY	400/230V 50 Hz
IP RATING	IP 54
PROTECTION CLASS BY EN 61140 ed.2	I
OPERATING THERMOSTAT	capillary type, adjustable
SWITCH-OVER CONTACT	16 A
TEMPERATURE ADJUSTMENT RANGE	from 0 ± 5 °C to 90 ± 3 °C
TEMPERATURE ADJUSTMENT METHOD	rotating knob
SWITCHING DIFFERENCE	5 ± 1.5 °C
LOWER LIMIT	about 15 °C – frost protection
UPPER LIMIT	about 60 °C – for HW storage tanks
SAFETY THERMOSTAT	capillary type, fixed setting
SWITCH OFF TEMP. RESET	99 +0/-6 °C manual, after temperature drops below 50 °C
CONTACTOR	AC1 : 20 A / 690 V, 1Z
COIL VOLTAGE	AC 220 – 240 V
FREQUENCY	50 Hz

MODEL		ETT-G 2.0	ETT-G 3.0	ETT-G 4.5	ETT-G 6.0	ETT-G 7.5	ETT-G 9.0
NOMINAL OUTPUT	kW	2.0	3.0	4.5	6.0	7.5	9.0
NOMINAL CURRENT	A	2.9	4.3	6.5	8.7	10.8	13.0
ELEMENT LENGTH (L)	mm	225	285	383	478	570	665
NON-HEATING END LENGTH (LN)	mm	100	100	100	100	100	100
CODE	--	11 787	11 788	11 789	11 216	11 215	11 214

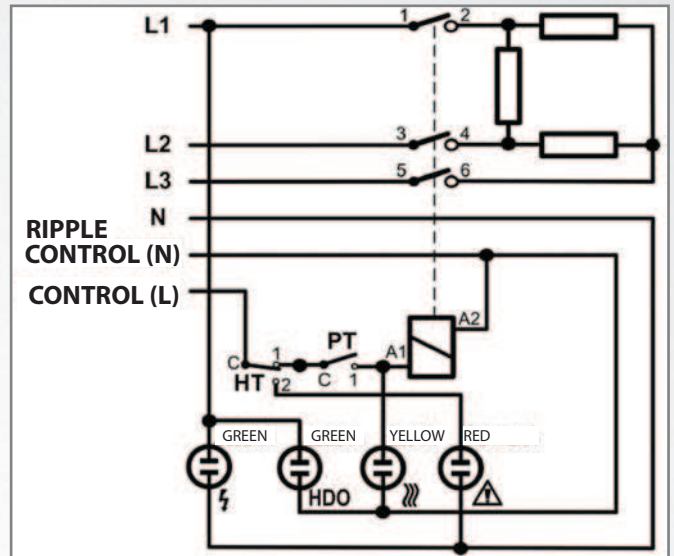
Electric Wiring

3/N/PE AC 400/230V

2- 6 kW



7.5 - 9 kW



Wiring examples:

