



www.regulus.eu



PSWF N+

Installation and Operation Manual
THERMAL STORES
PSWF 300 N+, PSWF 500 N+, PSWF 800 N+,
PSWF 1000 N+, PSWF 1500 N+ and PSWF 2000 N+

EN

PSWF N+

CONTENTS

1 Description	3
1.1 Models	3
1.2 Tank protection	3
1.3 Thermal insulation	3
1.4 Connection points on the tank	3
1.5 Packaging	3
2 General Information	3
3 Technical Data and Dimensions	4
4 Operation	5
5 Typical Layout Example with Thermal Store	5
6 Installation and Commissioning	6
6.1 Connection to heat sources	6
6.2 Connection to a solar thermal system	6
6.3 El. heating element installation	6
6.4 Commissioning	6
7 Installing Insulation on the Tank	6
8 Maintenance	8
9 Disposal	8
10 Warranty	8

1 - Description

PSWF N+ Thermal Stores are intended for storing and subsequent distribution of thermal energy from solid-fuel fired boilers, heat pumps, solar collectors, electric boilers etc. This thermal store shall be always connected to a sealed heating circuit with forced circulation. It is fitted with one upper flange ready to receive a suitably sized tube heat exchanger. A heat exchanger with 1" connections is installed in the bottom part. Mating flanges for heat exchangers with either G 1" or G 3/4" connections are available as an option. When no heat exchanger is installed, a blind flange shall be used (option). These heat exchangers are made of finned copper tubes that feature larger surface area and better heat transfer. The lower heat exchanger usually connects to a solar system and the upper one is used for DHW heating (continuous) which limits significantly the risk of Legionella bacteria formation. The tanks are also fitted with nine G 6/4" side sleeves to connect heat sources, four G 1/2" ones for sensor sheaths and one G 1/2" connection for a safety valve. El. heating elements can be installed directly into the 6/4" connections that are located outside the lower heat exchanger.

In order to reach proper working of the tank, it is necessary to design optimum hydraulics of the whole system, i.e. position of circulation pumps for sources and heating circuits, valves, non-return valves etc. When more heat sources shall be combined, it is recommended to use a smart controller, e.g. Regulus IR, for both the source and load sides of a heating circuit, i.e. also for charging and discharging the thermal store.

1.1 - Models

Six models of 280, 472, 807, 930, 1498 and 1996 l capacity.

1.2 - Tank protection

The inner surface has no finish, no anticorrosion protection, the outer surface is lacquered in gray.

1.3 - Thermal insulation

Thermal insulation is available as a separate item. For easier handling, the insulation shall not be fitted on the tank until it reaches its definite place of installation. The insulation is made of fleece, 100 mm thick, with a hard polystyrene surface. It is closed by a quick lock.

1.4 - Connection points on the tank

- 1 flange with 210 mm inner diam.
- 8 side connections in a 90° sector, G 6/4" F thread
- 1 top connection, G 6/4" F thread
- 4 side connections for sensor sheaths, G 1/2" F thread
- 1 side connection for a 3 bar safety valve, G 1/2" F thread
- 2 side connections for a heat exchanger, G 1" F thread

1.5 - Packing

Tanks are delivered standing, each screwed to its pallet, packed in bubble wrap. Included in the package are gaskets, bolts for the flange.

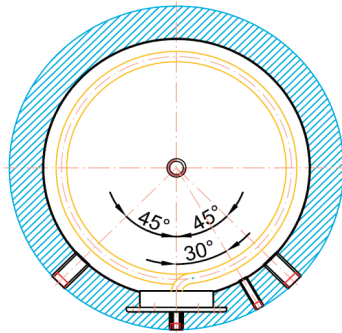
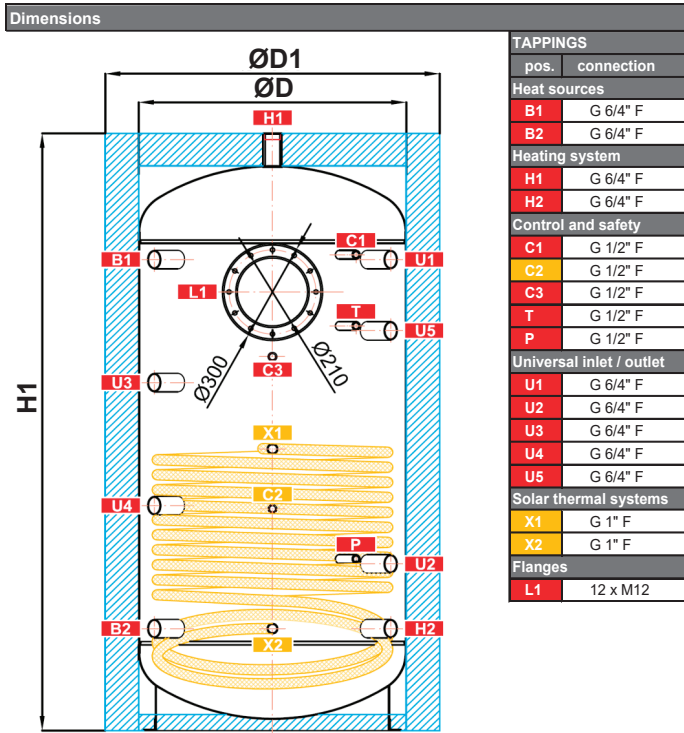
2 - General Information

This Owners Manual is an integral and important part of the product and must be handed over to the User. Read carefully the instructions in this Manual as they contain important information concerning safety, installation, operation and maintenance. Keep this Manual for later reference. The appliance shall be installed by a qualified person according to valid rules and Manufacturer's Instructions.

This appliance is designed to accumulate thermal energy of heating water and distribute it subsequently. It shall be connected to a heating system and heat sources. The equipment is suitable also for continuous water heating. In such a case, the customer needs to buy a suitably sized heat exchanger (available as accessory) and have it installed into the flange.

Using the thermal store for other purposes than above described (e.g. as a DHW tank) is forbidden and the manufacturer accepts no responsibility for damage caused by improper or wrong use.

3 - Technical Data and Dimensions



Tank code: a
 Insulation code: b
 Total fluid volume in tank: c
 Fluid volume in tank: d
 Fluid volume in heat exchanger: e
 Surface area of heat exchanger: f
 Max. working temperature in tank: 95 °C
 Max. working temperature in heat exchanger: 110 °C
 Max. working pressure in tank PSWF 300 N+ + PSWF 1000 N+: 4 bar
 Max. working pressure in tank PSWF 1500 N+ + PSWF 2000 N+: 3 bar
 Max. working pressure in heat exchanger: 10 bar
 Empty weight: g
 Tipping height without insulation: V1

Type - model		PSWF 300 N+	PSWF 500 N+	PSWF 800 N+	PSWF 1000 N+	PSWF 1500 N+	PSWF 2000 N+
Tank code	a	14732	14735	15230	15232	15234	15236
Insulation code	b	19342	19332	19343	19325	19350	19355
Total fluid volume in tank [l]	c	280	472	807	930	1498	1996
Fluid volume in tank [l]	d	271	461	792	912	1476	1971
Fluid volume in heat exchanger [l]	e	9,0	11,0	15,0	18,0	22,0	25,0
Heat exchanger surface area [sqm]	f	1,5	2,0	2,7	3,2	4,0	4,5
Empty weight [kg]	g	87	118	160	180	265	311
Tipping height without insulation [mm]	V1	1430	1950	1895	2120	1965	2050
Dimensions [mm]	Ø D1	750	800	1000	1000	1300	1450
	Ø D	550	600	800	800	1100	1250
	B1	1120	1615	1455	1690	1475	1510
	B2	220	225	315	300	335	370
	H1	1405	1915	1845	2080	1885	1955
	H2	220	225	315	300	335	370
	C1	1135	1630	1470	1705	1490	1525
	C2	520	585	685	740	735	760
	C3	830	1270	1155	1345	1175	1210
	T	895	1400	1250	1475	1270	1305
	P	375	450	530	525	550	585
	U1	1120	1615	1455	1690	1475	1510
	U2	360	435	515	510	535	570
	U3	795	1155	1075	1230	1095	1130
	U4	520	685	695	760	715	750
	U5	880	1385	1235	1460	1255	1290
	X1	670	765	870	950	940	955
	X2	220	225	315	300	335	370
	L1	1010	1515	1355	1590	1375	1410

4 - Operation

This thermal store is designed to accumulate thermal energy in domestic or industrial applications, however always in sealed pressure circuits with forced circulation. In the thermal store, heating water is heated up from several heat sources like various types of hot-water boilers, renewable energy sources (heat pumps, solar collectors), or electric heating elements.

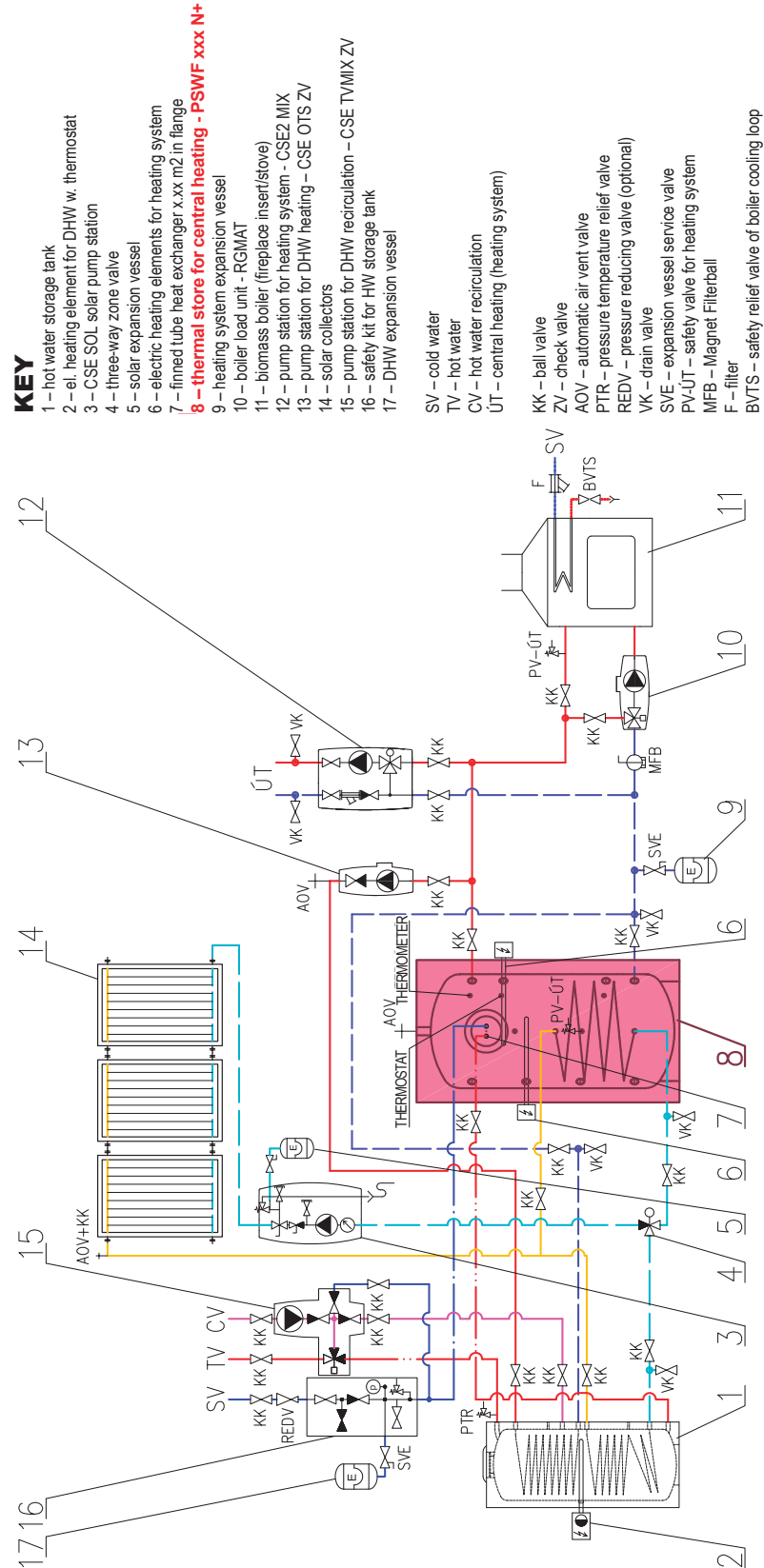
The thermal store is connected to the energy source using a G 6/4" connection fitting. A solar system thermal connects to the outlets of the inbuilt heat exchanger through G 1" fittings.

The individual tank outlets are fitted according to the circuits to be connected.

5 - Typical Layout Example with Thermal Store

Example

Solar collectors, el. heating elements and biomass-fired boiler.



6 - Installation and Commissioning

Installation shall meet valid rules and may be done by qualified staff only.

Defects caused by improper installation, use or handling are not covered by warranty.

After the tank is installed and connected to an existing heating system, it is recommended to clean the entire heating system using a suitable cleaning agent, e.g. BP 400.

Anti-corrosion protective liquid should be also used, e.g. BP 100 Plus.

6.1 - Connection to heat sources

Place the tank on the floor, as close to your heat source as possible. Mount the insulation, cf. Installing Insulation on the Tank. Connect the heating system according to the recommended connection layout - see Chap. 5. Install a drain valve at the lowest point of the tank. Install an air vent valve at the highest point of the system. Insulate all the connecting piping.

6.2 - Connection to a solar system

This tank is suitable for use with a solar system. In such a case the inlet of heated solar fluid from collectors connects to the G 1" upper connection of the heat exchanger and the return line from the solar thermal system connects to its lower connection. Insulate meticulously all the piping between the tank and the solar thermal system.

6.3 - El. heating element installation

The tank may be fitted with electric heating elements up to 12kW output depending on the volume of the thermal store - see the table of max. output of heating elements in hot water tanks and thermal stores in the Catalogue. They can be power-supplied either directly (elements with built-in thermostat) or via a controller for the entire heating system.

All electric heating elements shall be protected by a safety thermostat.

Electric heating elements shall be installed by an authorized person only.

6.4 - Commissioning

Ground the tank before commissioning.

The tank shall be filled up together with the heating system, respecting valid standards and rules. In order to minimize corrosion, special additives for heating systems should be used. The quality of heating water depends on the quality of filling water at commissioning, on the top-up water and on the frequency of topping up. This has a strong influence on the lifetime of heating systems. Poor quality of heating water may cause problems like corrosion or incrustation, esp. on heat transfer surfaces.

Table of limit values for total dissolved solids in hot water

Description	pH	Total dissolved solids (TDS)	Ca	Chlorides	Mg	Na	Fe
Max. value	6.5 - 9.5	600 mg/l	40 mg/l	100 mg/l	20 mg/l	200 mg/l	0.2 mg/l

Fill the heating circuits with the appropriate fluids and air-bleed the entire system. Check all connections for leaks and verify the system pressure. Set the heating controller in compliance with the documentation and manufacturer's recommendations. Check regularly proper function of all control and adjustment elements.

7 - Installing Insulation on the Tank

Product description

Fleece insulation with a hard polystyrene surface, closed by a quick lock.

Warning

Insulation installation shall be done in two or three persons, depending on its size. The fleece insulation **must not be installed at temperatures below 20 °C**. If this cannot be avoided, the insulation shall be pre-warmed in another room to at least 20 °C. It is impossible to install insulation of lower temperature, there is a risk of damage.

Do not use any tools for installation.

Keep away from open fire.

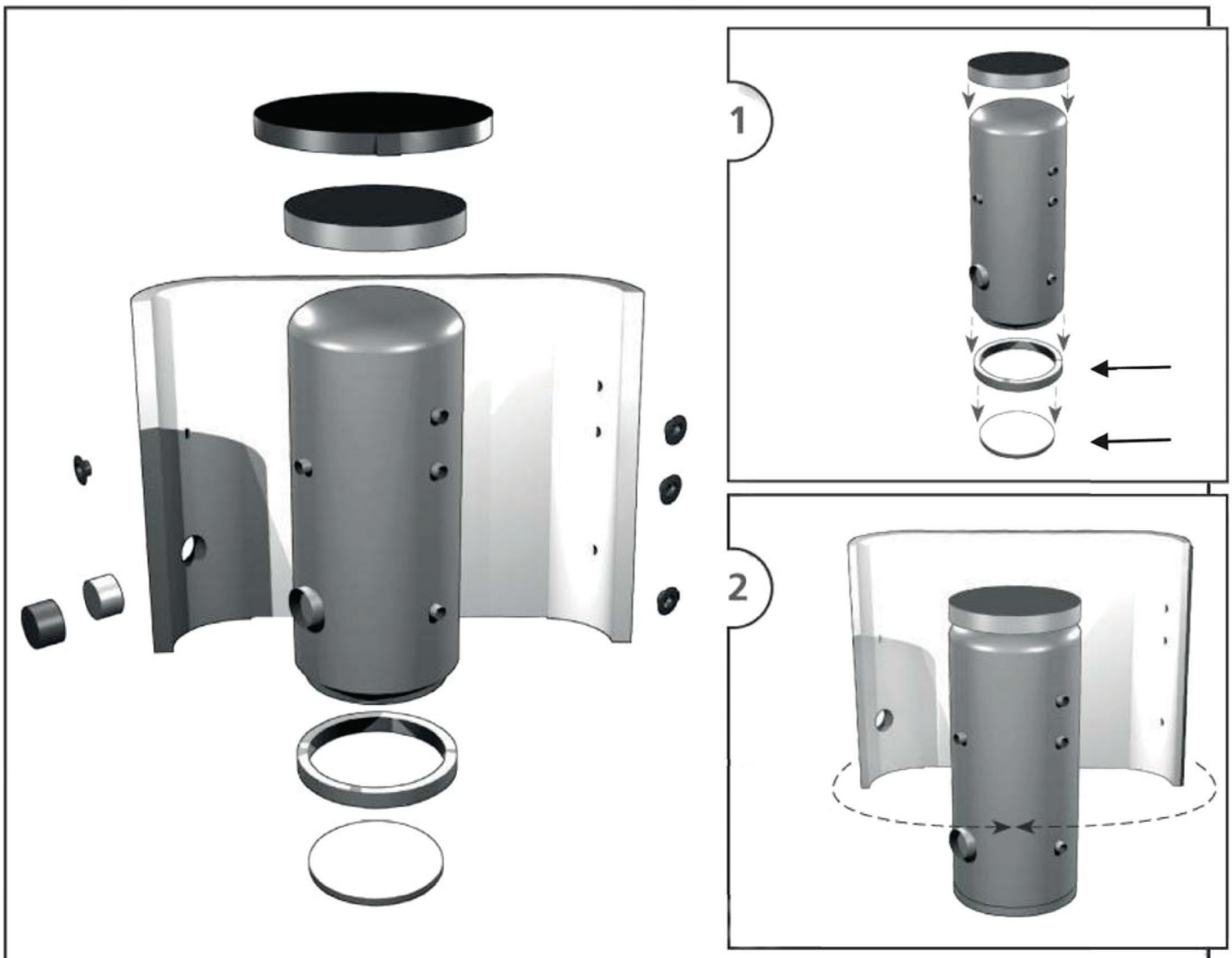
Installing Insulation

1. Put the bottom insulation under the tank and place the tank following installation instructions.
2. Wrap the insulation around the tank carefully. Check that the insulation adheres to its body perfectly. This can be reached by rubbing and patting the insulation by hand from its center evenly in both directions until the insulation adheres to the tank's surface completely and no bubbles are left.
3. Use the holes for sleeves as a rest during the insulation installation.
4. At least one person presses the insulation to the tank, pulling both ends together. The other person closes the quick lock from the side.
5. Put on the upper insulation and cover.
6. Push on the covering plastic rosettes depending on the size of sleeves, or put on the flange plug(s) with insulation.
7. Finish the tank installation in compliance with the respective instructions and valid standards and rules.

Warranty on insulation

The insulation is covered by a 24-month warranty. This period starts the next day after the insulation is sold.

- Warranty shall become null and void if:
 - the procedure described in the Installation Manual was not respected,
 - the product was used for other purposes than intended.
- Warranty does not cover:
 - usual wear and tear,
 - damage caused by fire, water, electricity or a natural disaster,
 - defects caused by failure to use the product in compliance with its intended purpose, by improper use and insufficient maintenance,
 - defects caused by mechanical damage to the product,
 - defects caused by tampering or incompetent repair.



8 - Maintenance

If the tank is fitted with a heating element, disconnect it from the mains first. Clean the exterior of the tank with a soft cloth and a mild detergent. Never use abrasive cleaners or solvents. Check all connections for leaks.

9 - Disposal

Packaging shall be disposed of in compliance with the valid rules. When the product reaches the end of its life, it shall not be disposed of as household waste. It shall be dropped off at a Local Waste Recycling Center. Insulation shall be recycled as plastic and the steel vessel as scrap iron.

10 - Warranty

This product is covered by warranty under the conditions listed in this Manual and in compliance with the Warranty Certificate. A Warranty Certificate is an integral part of this accumulation tank scope of supply.