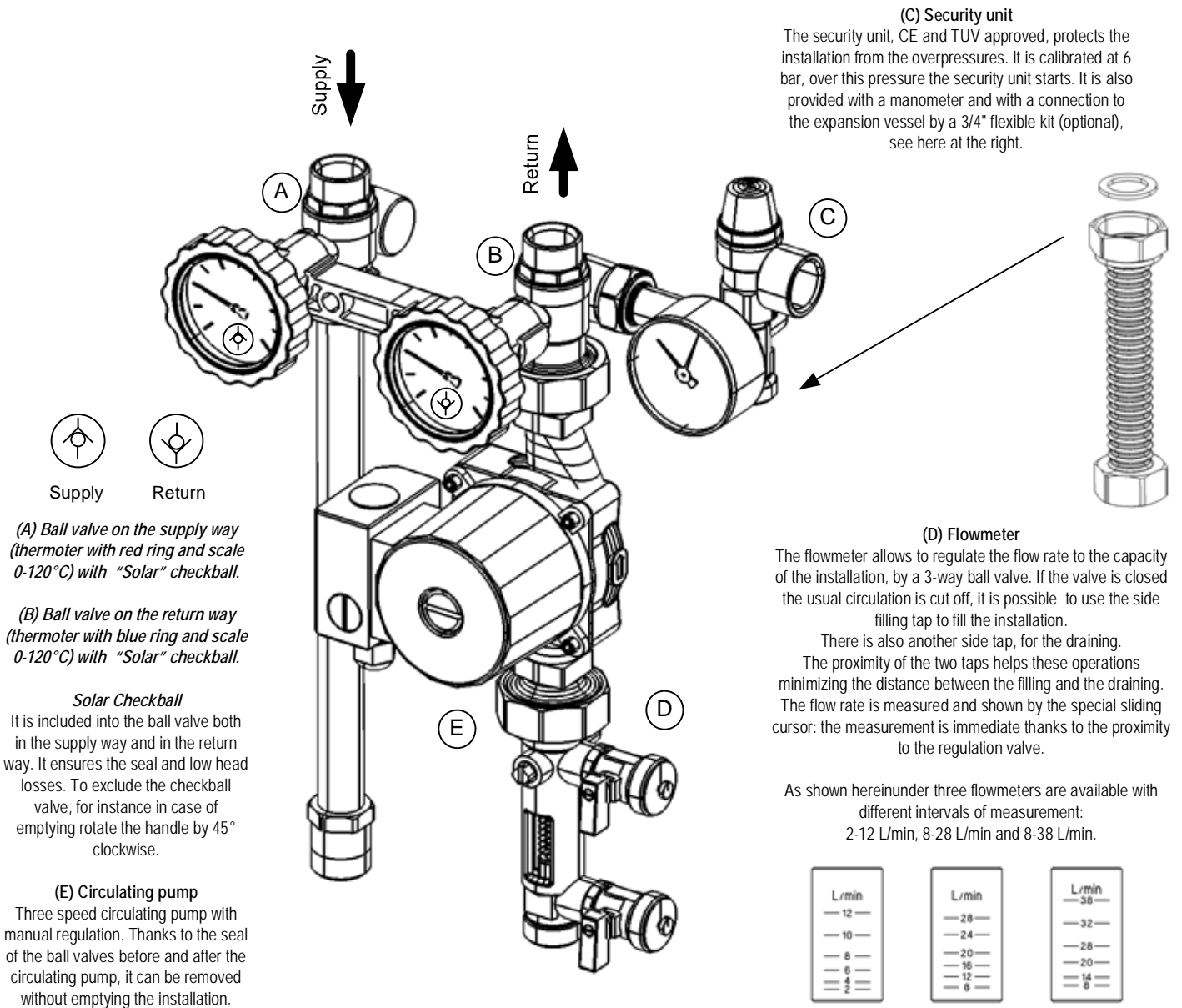
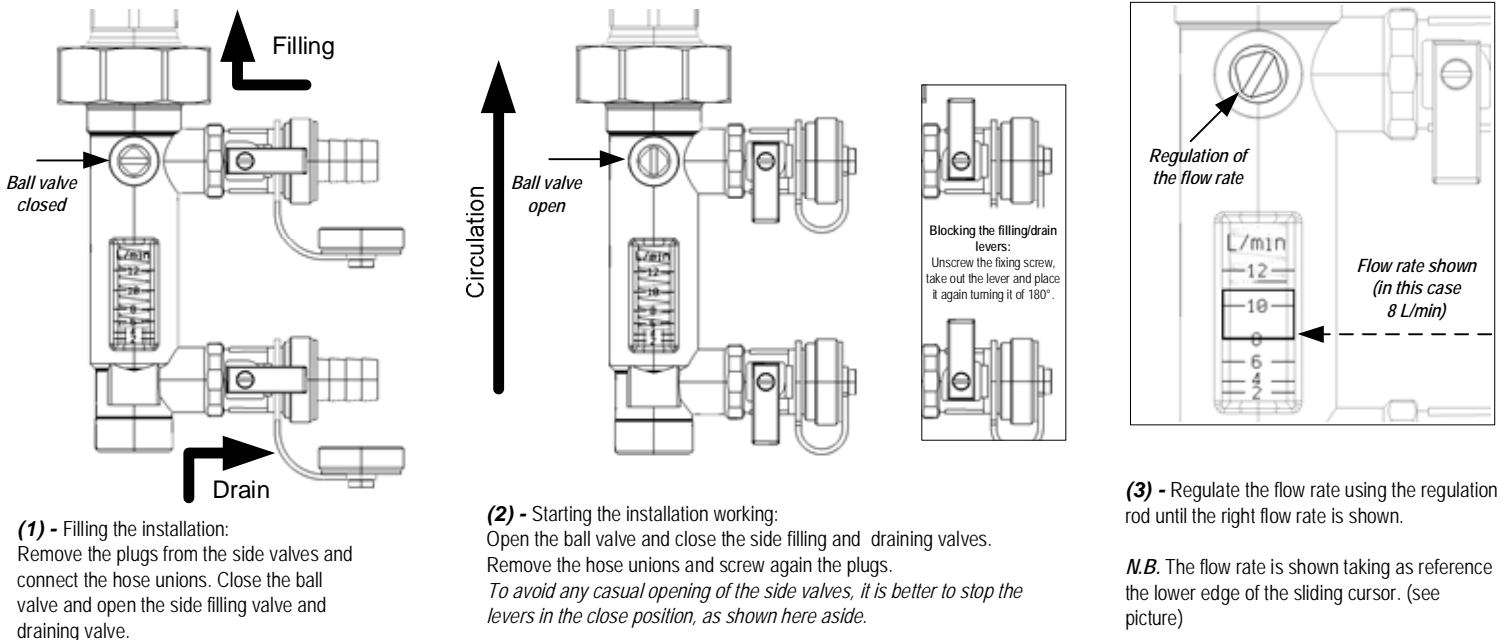


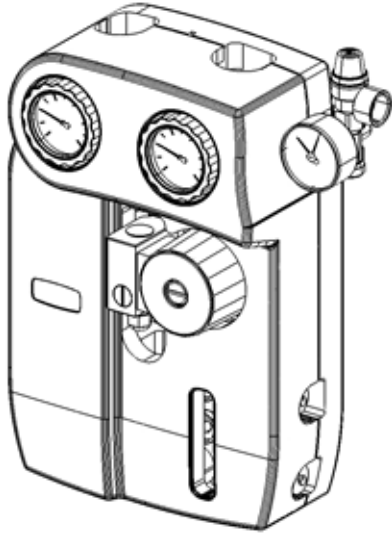
Pumping station 2-way "Solar 2"



Directions for the use of the flowmeter to fill the installation:



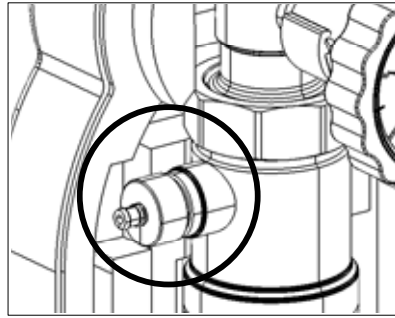
Pumping station 2-way "Solar 3"



Epp insulation box

Measurements 277x425x150.

Side opening on the back part of the insulation box for the security unit. Inside daps for the housing of the 22 mm pipe. A special window allows to read to adjust the flow without taking off the cover. Back plate to fasten the unit to the wall or to the cylinder.



Model with the vent air

The vent air is a device that divides continually the air that can be in circulation together with the fluid.

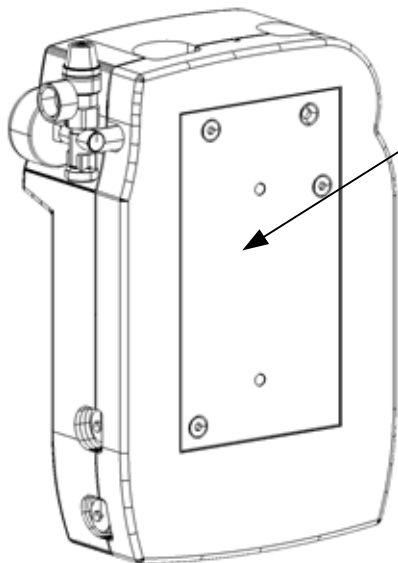
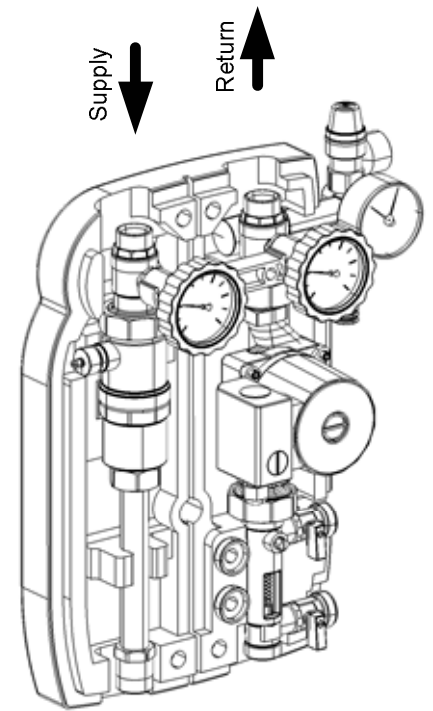
The air goes to the upper part of the vent air and it can be eliminated through the special drain while the installation is working. Unscrew of half a turn the knurled metal ring lock.

This operation has to be done at intervals.



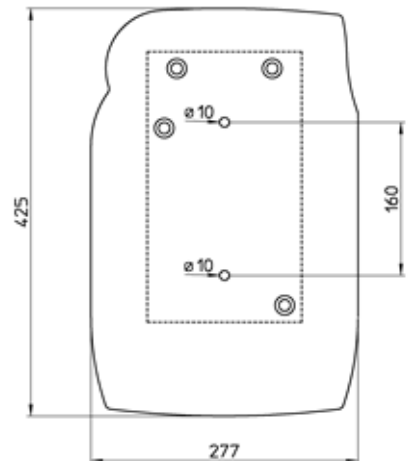
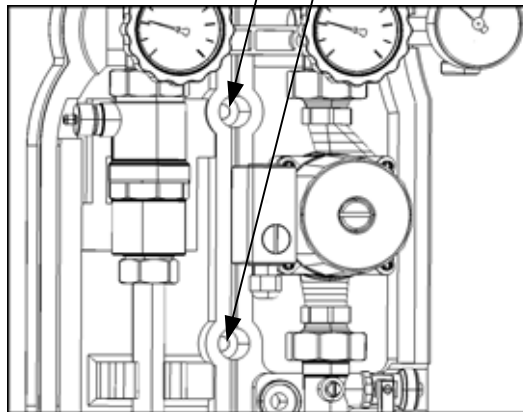
DANGER OF BURNS

To avoid any leakage of the fluid, taking into consideration the very high working temperature, we recommend to fasten a pipe to the end of the drain.



Back plate to fasten the unit to the wall or to the cylinder.

Fastening holes on the back fixing plate. Special openings on the insulation box allow the fastening without disassembling the unit.



DOUBLE RETURN KIT

In the case of big flow installations it is possible to utilize the presence of two circulating pumps in parallel on the return way. In this case by the means of a special kit in option it is possible to split the circuit placing side by side two pumping stations: one 2-way and one 1-way. Then you will get better performances in comparison to the ones gotten by a single return plant, that requires anyway a big power circulating pump. Thanks to the flowmeters integrated into the pump units the flows of the two return ways can be balanced. This operation is recommended to get an optimal output of the plant.

