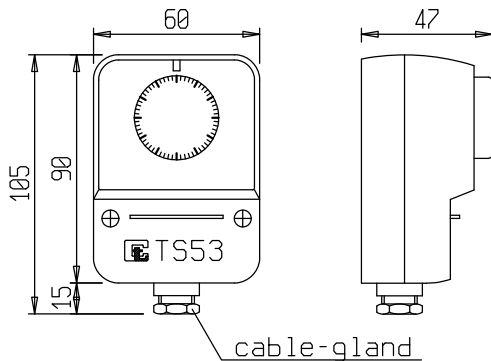


CONTACT THERMOREGULATOR

TS53

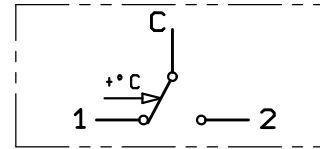
The TS53 is a water temperature thermoregulator designed for surface mounting on water pipes (TS5310) or domestic hot water cylinders (TS5320). It is particularly suitable for the water temperature regulation in civil and industrial thermic installations.

Dimensions



Technical and electric features

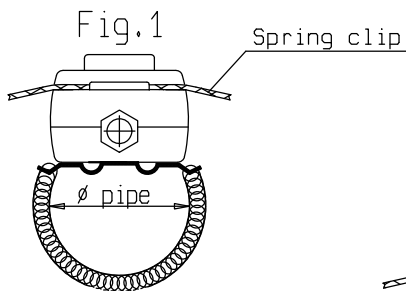
Control range : $17^{\circ} \div 90^{\circ} \text{C}$
Breaking capacity: C-1 16(2.5)A/250V~
C-2 3(1)A/250V~
Minimum current: 200 mA
Cable fastening by terminal board
Protection level: IP 40
Differential: approx. 10°C
Internal Ty53 bimetallic thermoregulator VDE/UL approved.
Weight: 120 gr.
The thermostat is a class II (double insulated device) requiring no earth connection.



Version TS5310

Suitable for surface mounting on water pipe by means of a spring clip (fig.1).

\varnothing min. pipe = 27mm -- 3/4"
 \varnothing max. pipe = 115mm -- 4"

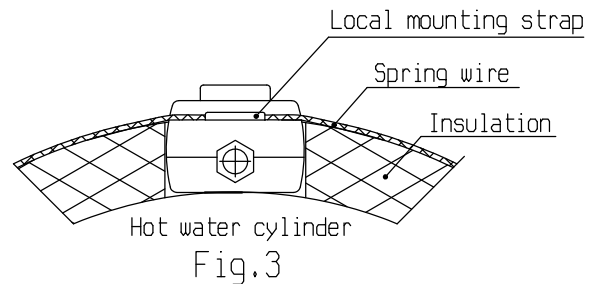
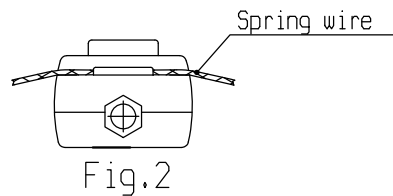


Version TS5320

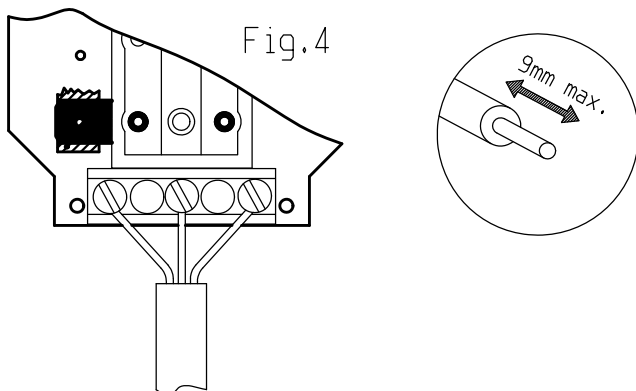
Suitable for surface on domestic hot water cylinder by means of a spring wire (Fig.2).

Fixing instructions:

Determine the correct length of the spring wire and cut it if necessary to ensure it is under slight tension. Fit the two hooks on the ends of the spring wire. Wire the thermostat: this operation should be carried out by a competent electrician in accordance with the appropriate IEE wiring regulations (fig.4). Mount the thermostat on the hot water cylinder as shown in fig.2 and fit it under the spring wire ensuring that the wire fits in the appropriate slot on the cover (fig.3).



Wiring terminals



Producer:



Termoregolatori Campini Corel S.p.A.
22066 Mariano Comense - Como - Italy
Via Don Guarella, 1

Distributor:



Regulus spol. s r.o. Czech Republic
Do koutů 1897/3, 143 00 Praha 4
Tel.: ++420 241 765 191 Fax: ++420 241 763 976
e-mail: sales@regulus.cz, www.regulus.eu

