

INSTRUCTION FOR USE, INSTALLATION AND MAINTENANCE

SZV1 Solar Check Valve



EN
v. 1.0

Regulus

Obsah:

1. Use of SZV1 valve.....	2
2. Function description	2
3. Installation and maintenance	2
4. Wiring diagram	2
5. Principal technical data	3
6. Dimensions	3

1 – Use of SZV1 valve

SZV1 Solar Check Valve is intended to act as a protection against domestic hot water (DHW) tank cooling down in thermosyphon solar systems. After sunset or when clouds cover the sun, temperature in the collector drops below the water temperature inside the tank and circulation in the system changes into the reverse direction. This way, the tank sends heat to the collector and so gets cooled down. In such a case, the SZV1 check valve closes the fluid inlet from the outer tank mantle into the collector which prevents the DHW tank from cooling down.

2 – Function description

SZV1 Solar Check Valve is fitted with a ball made of hard plastic that interrupts the heat carrier flow between a DHW tank and a collector when the temperature in the DHW tank exceeds that of the collector. Cooling down of the DHW tank is thus prevented. When the temperature at the collector outlet rises enough, the valve opens, enabling to heat DHW in the tank.

3 - Installation and maintenance

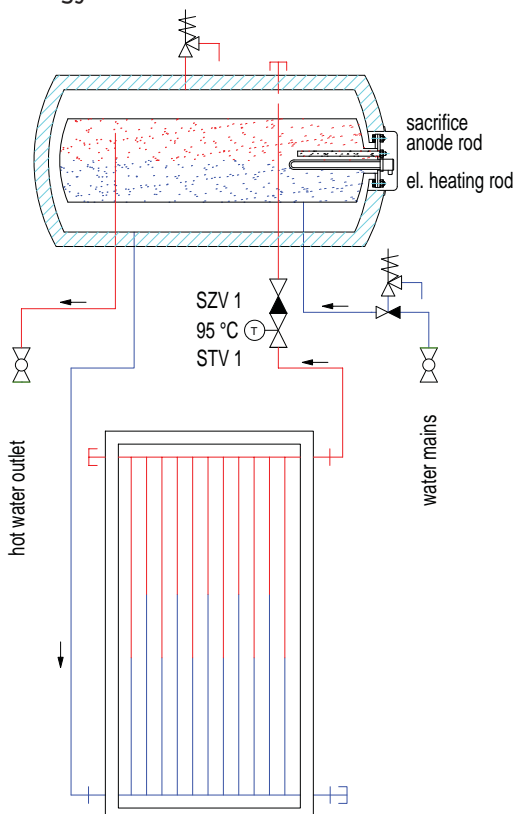
Install the solar check valve in compliance with the following instructions:

The valve can be installed in a vertical position only, or no more than $\pm 45^\circ$ from the vertical position.

Install the valve into the outlet pipe from a solar collector, before the inlet sleeve to the double-wall DHW tank. The arrow on the valve body shows the flow direction when DHW in the tank is heated.

The valve is self-acting, requiring no energy and no maintenance.

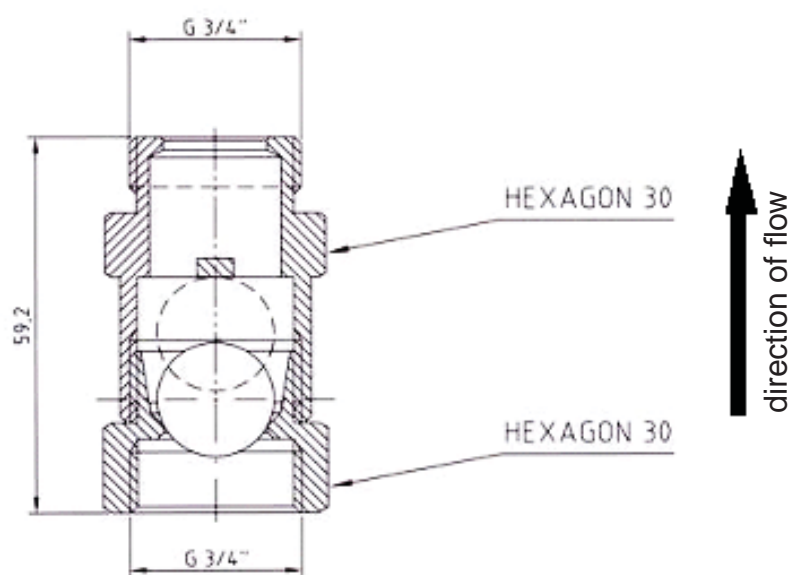
4 – Wiring diagram



5 – Principal technical data

		SZV 1
DN	-	20
PN	-	6
max. working pressure	bar	6
max. working temperature	°C	160 °C
connection dimensions	-	3/4" outer/inner wide sealing surface
weight	kg	0,15 kg
body material	-	brass
ball material	-	TPX (methylpentencopolymer)

6 - Dimensions



WARRANTY CERTIFICATE

SZV1

Solar Check Valve

Seller: Date of purchase:

WARRANTY CONDITIONS

1. The Seller grants the Buyer a Guarantee period of 24 months from the date of purchase.
2. The product will be installed and commissioned by a competent company or a person trained by the manufacturer.
3. When claiming warranty, this Warranty Certificate must be submitted together with the purchase receipt.
4. The warranty is valid only when the technical conditions set by the Manufacturer, installation manual and instructions in the documentation and on the product itself are maintained.
5. The warranty does not cover defects caused by external conditions or improper working conditions, defects caused by usual wear and tear, further when the product is not used in compliance with its purpose and when the defect was caused by mechanical damage to the product, improper handling, tampering by a third person, improper installation, improper stocking, natural disaster etc.

COMMISSIONING

Installer:

Date:

Rubber stamp print and signature of the technician:

07/2011



REGULUS spol. s r.o.

Do Koutů 1897/3
143 00 Praha 4

<http://www.regulus.eu>
E-mail: sales@regulus.cz