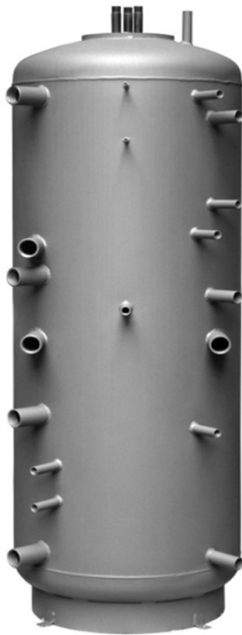


DUO 600/200 Thermal store with immersed DHW tank

DUO 600/200



DUO 600/200 with insulation



Main features	
Application	storage of thermal energy for DHW and space heating
Description	combination Thermal Store with immersed DHW tank
Working fluid	water, water / glycol mixture (max. 1:1) or water / glycerine mixture (max. 2:1) (thermal store), water (immersed DHW tank)

Code	
Thermal store	14 201
Insulation	16 300

Energy Efficiency Data (as per EC Regulation No. 812/2013)	
	DUO 600/200 with insulation
Energy efficiency class	N/A
Standing loss	100 W
Storage volume	552 l

Technical data	
Total volume	552 l
Fluid volume in thermal store	362 l
Immersed DHW tank volume	190 l
Max. working temp. in thermal store	95 °C
Max. working temp. in DHW tank	95 °C
Max. working pressure in thermal store	3 bar
Max. working pressure in DHW tank	6 bar

Materials	
Thermal store material	S235JR
DHW tank material	DC01EK

Insulation materials	
Tank perimeter insulation	fleece
Perimeter insulation's outer surface	PU leather
Top and bottom tank insulation	fleece

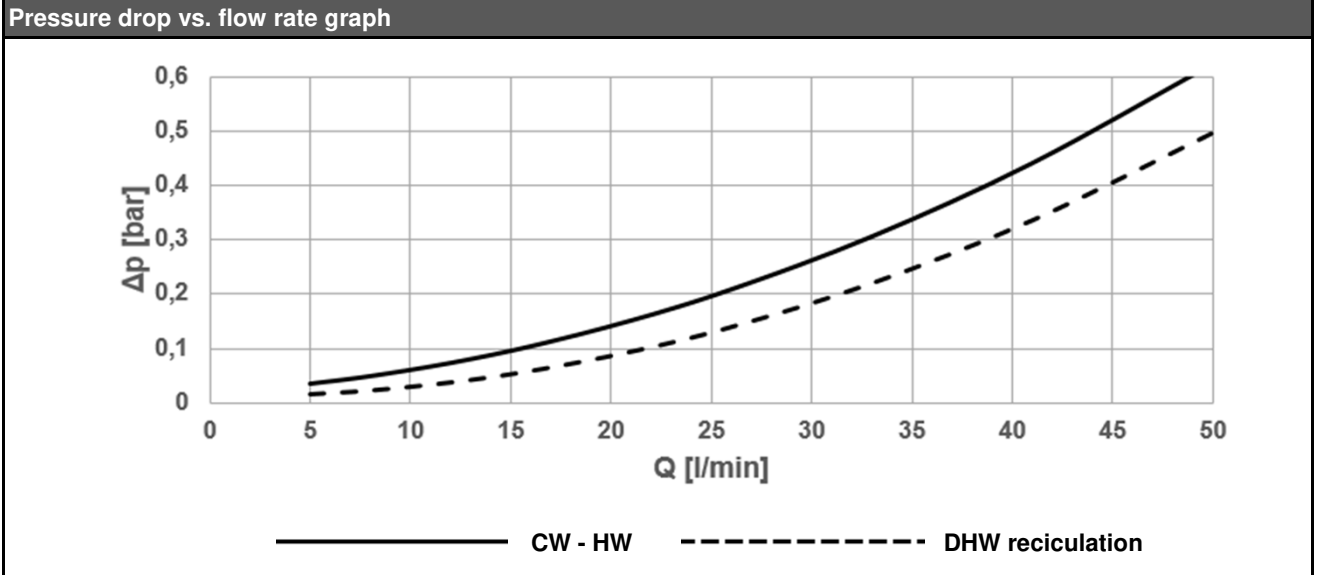
Dimensions, tipping height, insulation thickness, weight	
Tank diameter	650 mm
Tank diameter with insulation	850 mm
Tank overall height	1935 mm
Tipping height without insulation	1970 mm
Tank perimeter insulation thickness	100 mm
Bottom insulation thickness	50 mm
Top insulations thickness	120 mm
Empty weight without insulation	123 kg

Accessories	
El. heating elements	models ETT-C, L, M
Heating elements max. lenght / output	3 x 500 mm / 3 x 5 kW
Pump station	solar, S1 and S2 models
Plate heat exchangers	kits with DV and accessories for connection to a solar pump station
Electronic anode rod	code 13 793
Expansion vessel (drinking water)	model HW 8 l and bigger

Spare parts	
Magnesium anode rod	code 13 959

DUO 600/200 Thermal store with immersed DHW tank

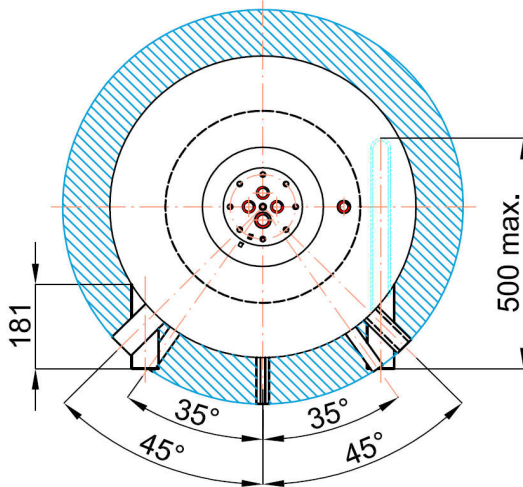
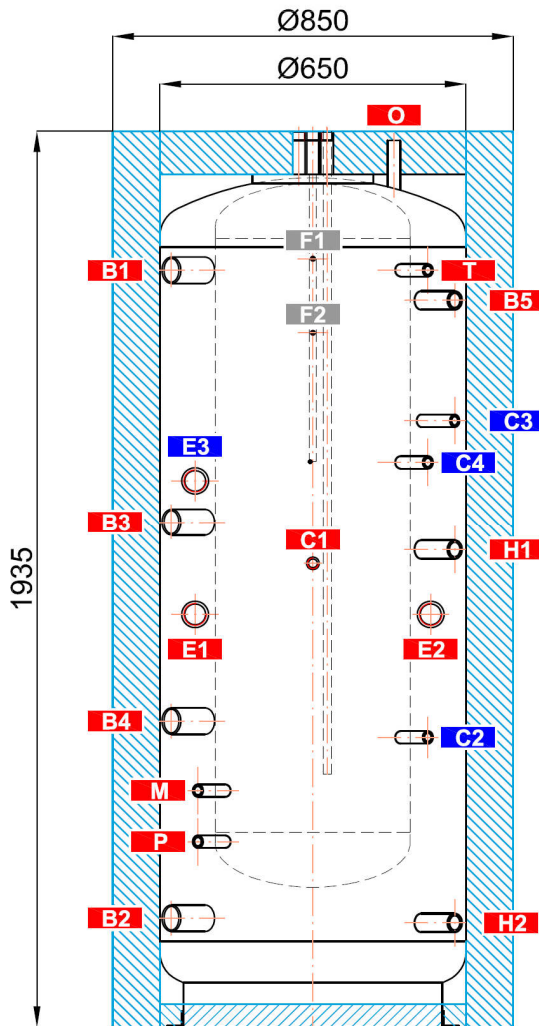
Volume of supplied DHW (heated from 10 °C to 40 °C)									
Heated volume	entire			entire			entire		
Temperature in tank	60 °C			60 °C			80 °C		
Backup heater	10 kW			none			none		
Flow rate [l/min]	8	12	20	8	12	20	8	12	20
Hot water volume [l]	516	390	293	440	348	316	854	768	637



DUO 600/200 Thermal store with immersed DHW tank

Dimensions

Tipping height without insulation 1970 mm.



TAPPINGS

pos.	connection	height [mm]
Heat sources		
B1	G 6/4" F	1635
B2	G 6/4" F	235
B3	G 6/4" F	1090
B4	G 1" F	660
B5	G 1" F	1570
Heating system		
H1	G 1" F	1030
H2	G 1" F	225
Electric immersion heaters		
E1	G 6/4" F	1055
E2	G 6/4" F	1055
E3	G 6/4" F	1295
DHW heating		
W1	G 3/4" M	1935
W2	G 3/4" M	1935
W3	G 3/4" M	1935
N	G 3/4" F	1835
Control and safety		
C1	G 1/2" F	1000
C2	G 1/2" F	625
C3	G 1/2" F	1310
C4	G 1/2" F	1220
C5	Ø 10,5 mm	1935
T	G 1/2" F	1635
M	G 1/2" F	510
P	G 1/2" F	400
Air release		
O	G 1/2" F	1915
Pump station support		
F1	M 6	1660
F2	M 6	1500

UPPER FLANGE DETAIL

