

DUO 750/200 Thermal store with immersed DHW tank

DUO 750/200



DUO 750/200 with insulation



Main features	
Application	storage of thermal energy for DHW and space heating
Description	combination Thermal Store with immersed DHW tank
Working fluid	water, water / glycol mixture (max. 1:1) or water / glycerine mixture (max. 2:1) (thermal store), water (immersed DHW tank)

Code	
Thermal store	14 204
Insulation	16 303

Energy Efficiency Data (as per EC Regulation No. 812/2013)	
	DUO 750/200 with insulation
Energy efficiency class	N/A
Standing loss	116 W
Storage volume	749 l

Technical data	
Total volume	749 l
Fluid volume in thermal store	559 l
Immersed DHW tank volume	190 l
Max. working temp. in thermal store	95 °C
Max. working temp. in DHW tank	95 °C
Max. working pressure in thermal store	3 bar
Max. working pressure in DHW tank	6 bar

Materials	
Thermal store material	S235JR
DHW tank material	DC01EK

Insulation materials	
Tank perimeter insulation	fleece
Perimeter insulation's outer surface	PU leather
Top and bottom tank insulation	fleece

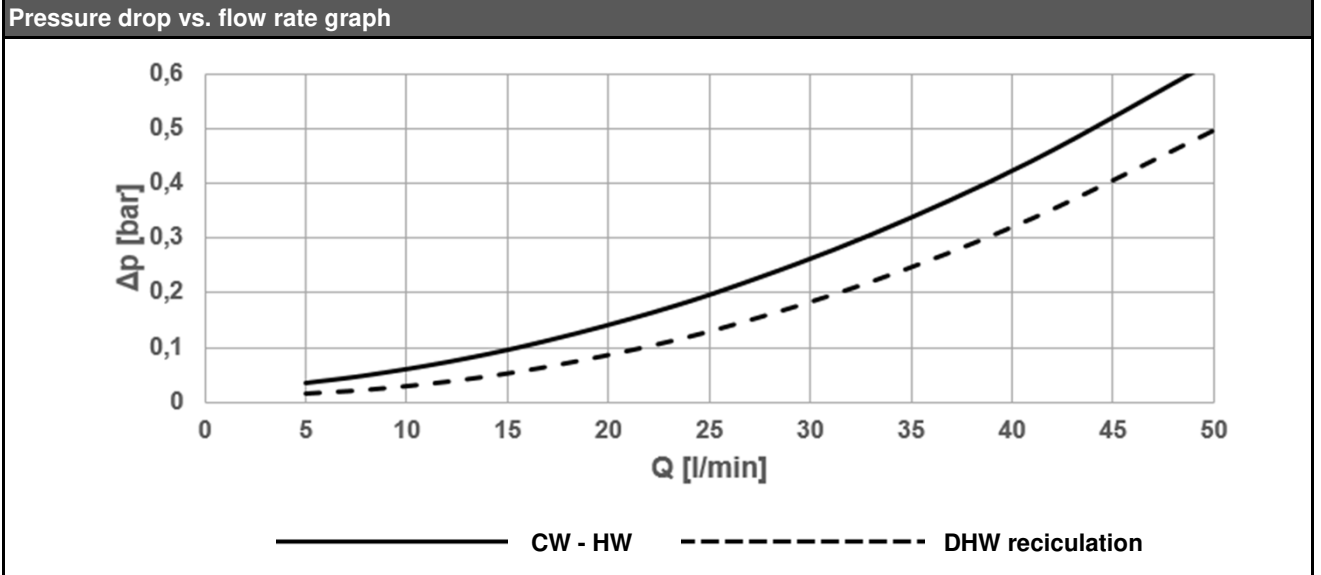
Dimensions, tipping height, insulation thickness, weight	
Tank diameter	750 mm
Tank diameter with insulation	950 mm
Tank overall height	1980 mm
Tipping height without insulation	2040 mm
Tank perimeter insulation thickness	100 mm
Bottom insulation thickness	50 mm
Top insulations thickness	120 mm
Empty weight without insulation	143 kg

Accessories	
El. heating elements	models ETT-C, L, M
Heating elements max. lenght / output	3 x 650 mm / 3 x 7,5 kW
Pump station	solar, S1 and S2 models
Plate heat exchangers	kits with DV and accessories for connection to a solar pump station
Electronic anode rod	code 13 793
Expansion vessel (drinking water)	model HW 8 l and bigger

Spare parts	
Magnesium anode rod	code 13 959

DUO 750/200 Thermal store with immersed DHW tank

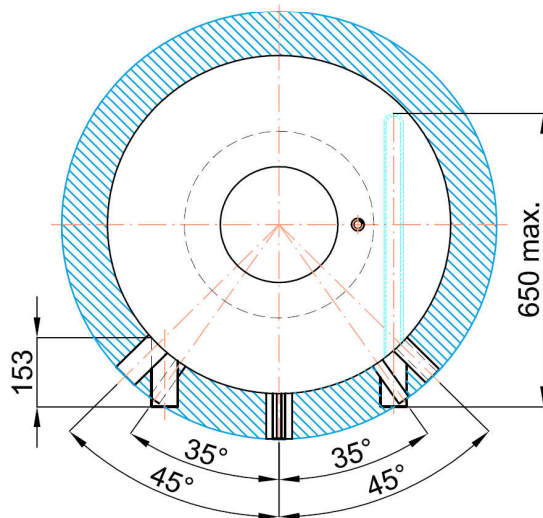
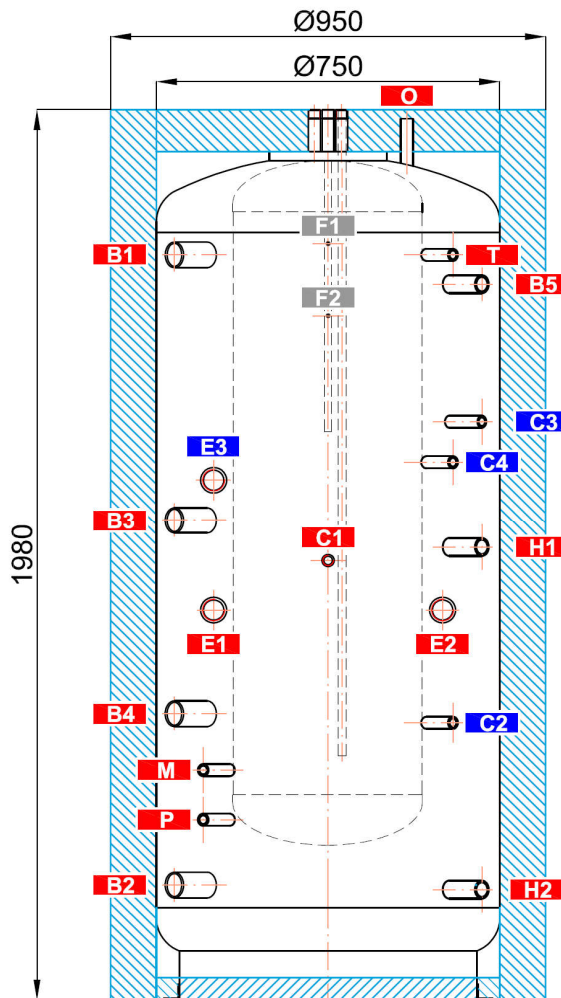
Volume of supplied DHW (heated from 10 °C to 40 °C)									
Heated volume	entire			entire			entire		
Temperature in tank	60 °C			60 °C			80 °C		
Backup heater	10 kW			none			none		
Flow rate [l/min]	8	12	20	8	12	20	8	12	20
Hot water volume [l]	517	400	303	447	353	321	1010	878	652



DUO 750/200 Thermal store with immersed DHW tank

Dimensions

Tipping height without insulation 2040 mm.



TAPPINGS

pos.	connection	height [mm]
Heat sources		
B1	G 6/4" F	1655
B2	G 6/4" F	255
B3	G 6/4" F	1065
B4	G 1" F	635
B5	G 1" F	1590
Heating system		
H1	G 1" F	1005
H2	G 1" F	245
Electric immersion heaters		
E1	G 6/4" F	1055
E2	G 6/4" F	1055
E3	G 6/4" F	1295
DHW heating		
W1	G 3/4" M	1980
W2	G 3/4" M	1980
W3	G 3/4" M	1980
N	G 3/4" F	1880
Control and safety		
C1	G 1/2" F	975
C2	G 1/2" F	615
C3	G 1/2" F	1285
C4	G 1/2" F	1195
C5	Ø 10,5 mm	1980
T	G 1/2" F	1655
M	G 1/2" F	510
P	G 1/2" F	400
Air release		
O	G 1/2" F	1960
Pump station support		
F1	M 6	1680
F2	M 6	1520

UPPER FLANGE DETAIL

