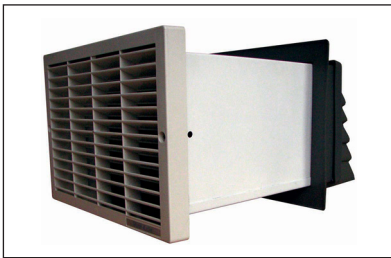


## DATA SHEET

### HR 100W and HR 30W Heat Recovery Ventilation Units



#### Main Features

Application	Unit designed to ventilate separate rooms (dwelling space, kitchen, bathroom etc.).
Installation	For installation in walls, suitable wall thickness 220 to 280 mm (up to 500 mm with extension, see accessories).
Codes	<b>6955</b> – HR 100W <b>6954</b> – HR 30W

Performance Data	HR 100W	HR 30W
Low speed – inlet	38 m <sup>3</sup> /h	30 m <sup>3</sup> /h
Low speed – levy	43 m <sup>3</sup> /h	35 m <sup>3</sup> /h
Boost speed – inlet	69 m <sup>3</sup> /h	40 m <sup>3</sup> /h
Boost speed – levy	77 m <sup>3</sup> /h	50 m <sup>3</sup> /h
Heat recovery efficiency	max. 70 %	max. 70 %
Sound pressure level for low speed <sup>1)</sup>	20 dB(A)	–
Sound power level for low speed <sup>1)</sup>	35 dB(A)	28 dB(A)
Ambient temperature	do 40 °C	
Height x width x length	195 x 270 x 370 mm (see Dimensions)	
Weight	4.85 kg	

1) At 3 m distance.

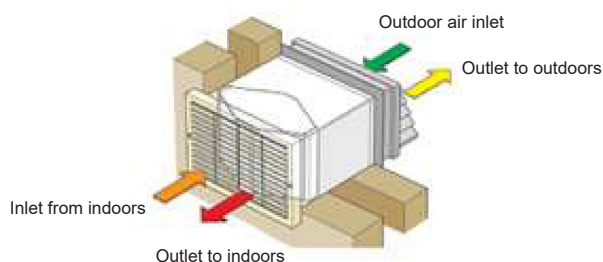
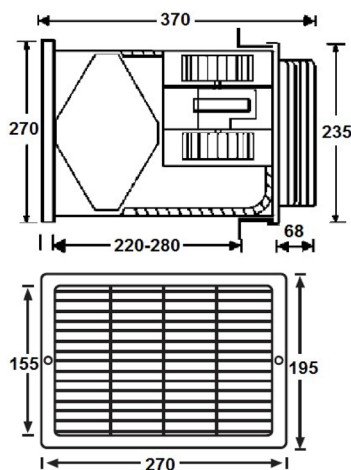
Electric Data	HR 100W	HR 30W
Power supply	230 V, 50 Hz	230 V, 50 Hz
Power supply fuse	3 A (external)	3 A (external)
Power consumption at low speed	12 W	10 W
Power consumption at boost speed	31 W	23 W

#### Accessories

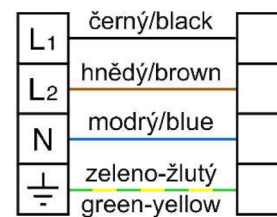
Extension EXT 100

6956 (suitable for both HR 100W and HR 30W)

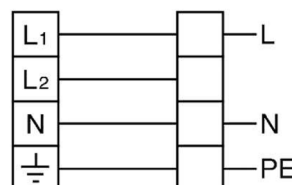
#### Dimensions



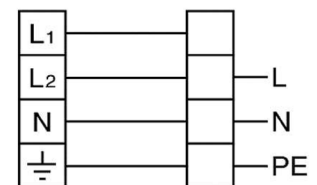
#### Wiring



Wiring for low speed



Wiring for boost speed



L ... live

N ... neutral

⏏ ... earth