


**HSK 750 PR Combination Thermal Store**

	Main Features	
	Application	Combination thermal store with DHW heating in an integrated stainless-steel heat exchanger, fitted with a tight separating metal plate that increases seasonal coefficient of performance (SCOP) of a heat pump and the efficiency of a solar thermal system, with a solar heat exchanger in the lower tank section below the plate.
	Working fluid	Water (heat exchanger), water; water-glycol mixture (max. 1:1) or water/glycerine mixture (max. 2:1 (thermal store)).
	Thermal store code	14190
	Insulation code	18841

**Energy Efficiency Data (as per EC Regulation No. 812/2013)**

	valid for a thermal store with insulation
Energy efficiency class	N/A
Static loss	116 W
Storage volume	738 l

**Technical data**

Total thermal store volume	753 l
Fluid volume in thermal store	706 l
Fluid volume above separating plate	304 l
Fluid volume below separating plate	402 l
Fluid volume of DHW heat exchanger above the separating plate	21.0 l
Fluid volume of DHW heat exchanger below the separating plate	11.0 l
Fluid volume in solar heat exchanger	15.0 l
Surface area of DHW heat exchanger above the separating plate	6.0 m <sup>2</sup>
Surface area of DHW heat exchanger below the separating plate	3.0 m <sup>2</sup>
Solar heat exchanger surface area	2.5 m <sup>2</sup>
Max. working temperature in thermal store	95 °C
Max. working temperature in DHW heat exchanger	95 °C
Max. working temperature in solar heat exchanger	95 °C
Max. working pressure in thermal store	4 bar
Max. working pressure in DHW heat exchanger	10 bar
Max. working pressure in solar heat exchanger	10 bar
Thermal store diameter	750 mm
Thermal store diameter with insulation	950 mm
Thermal store overall height	1975 mm
Tipping height without insulation	2030 mm
Thermal store perimeter insulation thickness	100 mm
Thermal store bottom insulation thickness	50 mm
Thermal store top insulation thickness	100 mm
Empty weight without insulation	158 kg

**Accessories**

Electric heating element	ETT-C, P, M, U
Heating element max. length	700 mm

**HSK 750 PR Combination Thermal Store**

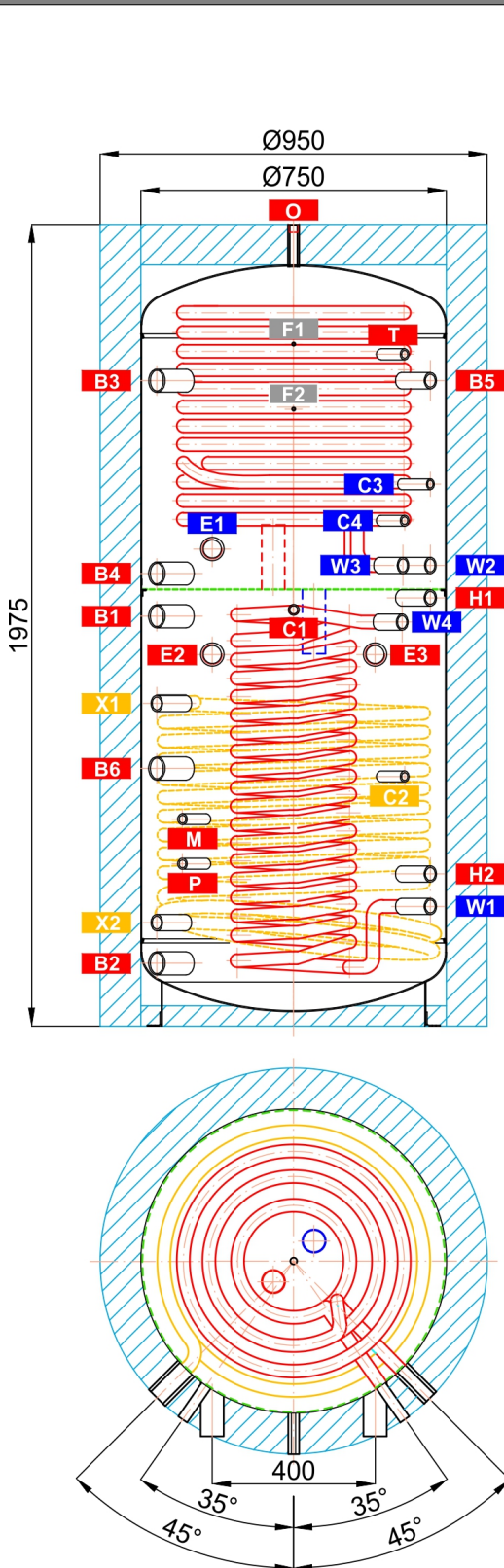
Materials	
Thermal store material	S235JR
Thermal store perimeter insulation	fleece
Thermal store outer surface insulation	hard polystyrene
Top and bottom thermal store insulation	fleece
DHW heat exchanger	AISI 316 L
Solar heat exchanger	S235JR+N

*Insulation thermal conductivity  $\lambda \leq 0.037$  W/mK, thermal resistance (short/long term) 150/100 °C, fire class E.*

Volume of supplied DHW (heated from 10 °C to 40 °C)				
Heated volume	Temperature in thermal store	Backup heater	Flow rate [l/min]	Hot water volume [l]
Entire	50 °C	10 kW	8	394
			12	366
			20	271
Entire	50 °C	none	8	353
			12	311
			20	231
Above metal sheet	50 °C	10 kW	8	209
			12	167
			20	110
Entire	60 °C	10 kW	8	1212
			12	965
			20	739
Entire	60 °C	none	8	784
			12	720
			20	677
Above metal sheet	60 °C	10 kW	8	489
			12	335
			20	286
Entire	80 °C	none	8	1238
			12	1186
			20	1076

HSK 750 PR Combination Thermal Store

Dimensions

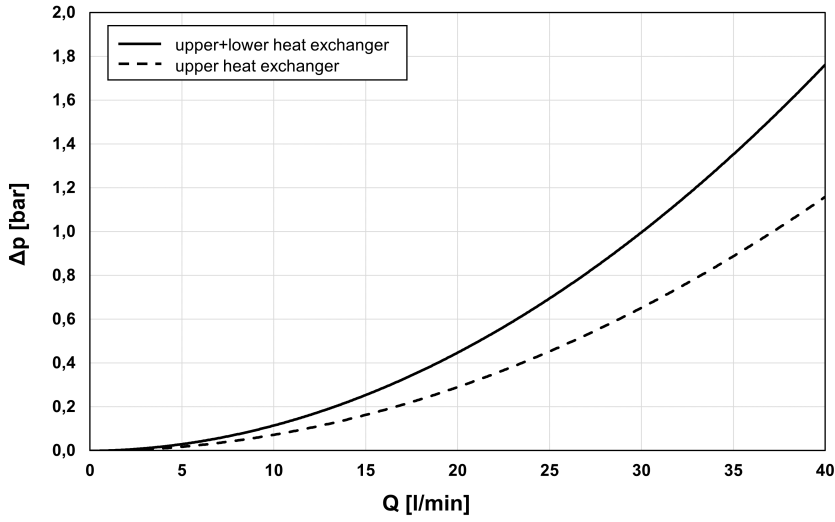


CONNECTIONS

pos.	description	connection	height [mm]
<b>Heat sources</b>			
B1	Supply from heat source	G 6/4" F	1010
B2	Return to heat source	G 6/4" F	155
B3	Supply from heat source	G 6/4" F	1590
B4	Return to heat source	G 6/4" F	1115
B5	Supply from heat source	G 1" F	1590
B6	Supply from heat source	G 6/4" F	635
<b>Heating system</b>			
H1	Flow to heating system	G 1" F	1055
H2	Return from heating system	G 1" F	375
<b>Solar thermal system</b>			
X1	Supply from solar collectors	G 1" F	795
X2	Return to solar collectors	G 1" F	255
<b>Electric heating element</b>			
E1	El. heating element (DHW)	G 6/4" F	1175
E2	El. heating element (space heating)	G 6/4" F	915
E3	El. heating element (space heating)	G 6/4" F	915
<b>DHW heating</b>			
W1	Cold water	G 1" M	285
W2	Domestic hot water	G 1" M	1135
W3	Recirculation	G 1" M	1135
W4	Domestic hot water	G 1" M	995
<b>Control and safety</b>			
C1	Temperature sensor	G 1/2" F	1025
C2	Temperature sensor	G 1/2" F	615
C3	Temperature sensor	G 1/2" F	1335
C4	Temperature sensor	G 1/2" F	1245
T	Thermometer	G 1/2" F	1655
M	Pressure gauge	G 1/2" F	510
P	Safety valve	G 1/2" F	400
<b>Air discharge</b>			
O	Air vent valve	G 1/2" F	1975
<b>Pump station support</b>			
F1	Pump station support – upper	M6	1680
F2	Pump station support – lower	M6	1520

HSK 750 PR Combination Thermal Store

DHW heat exchanger pressure drop graph



Solar heat exchanger pressure drop

