


R0BC 2500 Hot Water Storage Tank

| | | |
|---|----------------------|--|
|  | Main Features | |
| | Application | Hot Water Storage Tank with no inner heat exchangers is intended for DHW heating. Up to 2 heat sources can be connected via external heat exchangers. It comes fitted with detachable insulation and a magnesium anode rod that protects its inner surface from corrosion. As an option, an electronic anode rod can be installed instead of the magnesium one, for the codes see the Accessories table. If desired, an electric heating element can be installed into the hot water tank. |
| | Working fluid | water |
| | Code | 10501 |

Energy Efficiency Data (as per EC Regulation No. 812/2013)

| | |
|-------------------------|--------|
| Energy efficiency class | N/A |
| Static loss | 330 W |
| Storage volume | 2508 l |

Technical data

| | |
|--------------------------------------|---------|
| Total DHW tank volume | 2508 l |
| Max. working temperature in DHW tank | 95 °C |
| Max. working pressure in DHW tank | 10 bar |
| DHW tank diameter | 1200 mm |
| DHW tank diameter with insulation | 1400 mm |
| DHW tank overall height | 2680 mm |
| Tipping height | 3030 mm |
| DHW tank empty weight | 523 kg |

Materials

| | |
|-----------------------------------|--|
| DHW tank material | S235JR, inner surf. enamelled (DIN 4753-3) |
| Heat exchanger material | S235JR+N, outer surf. enamelled (DIN 4753-3) |
| DHW tank insulation | PU foam (soft) |
| DHW tank outer surface insulation | PVC |

Accessories

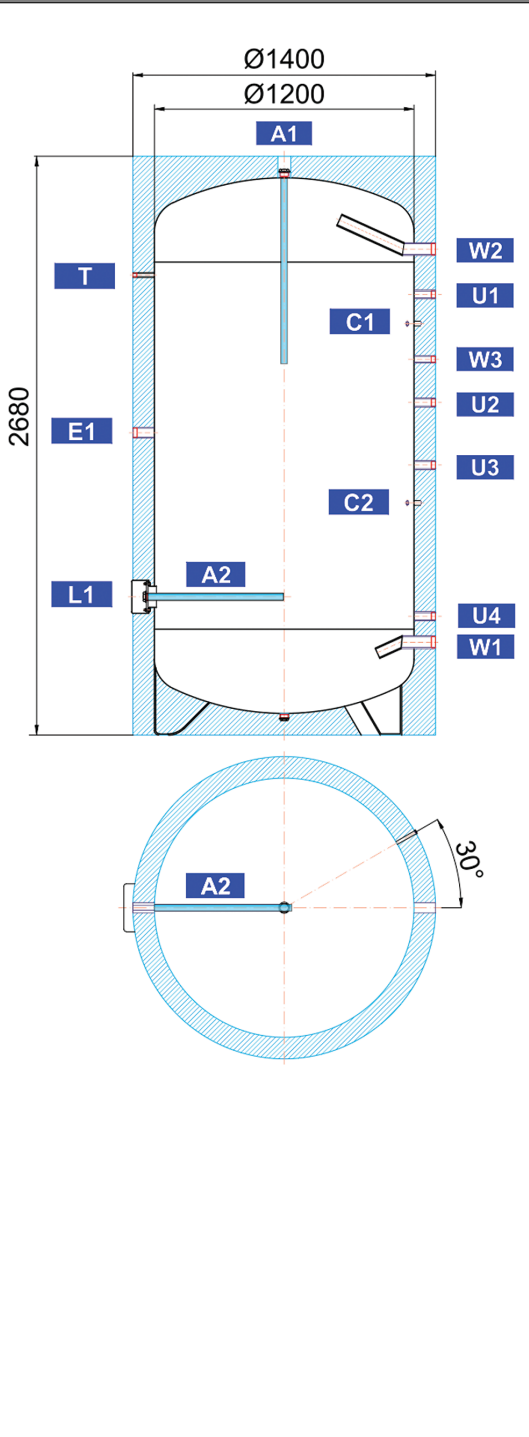
| | |
|---|--|
| Electric heating element | models ETT-A, D2, M, N, R, S, F2, P, U |
| Heating element max. length for E1 / flange | 815 mm / 815 mm |
| Electronic anode rod | code 14429 |
| Electronic anode rod for flange | code 17435 |

Spare parts (magnesium anode rods)

| | |
|---------------------------|------------|
| Mg anode rod (A1) | code 3698 |
| Mg anode rod (A2) | code 464 |
| Mg anode rod - chain type | code 13112 |

R0BC 2500 Hot Water Storage Tank

Dimensions



CONNECTIONS

| pos. | description | connection | height [mm] |
|-------------------------------|--------------------------|------------|-------------|
| DHW heating | | | |
| W1 | Cold water | G 2" F | 430 |
| W2 | Domestic hot water | G 2" F | 2250 |
| W3 | Recirculation | G 1" F | 1740 |
| Auxiliary heat source | | | |
| E1 | Electric heating element | G 6/4" F | 1400 |
| Control and safety | | | |
| C1 | Temperature sensor | G 1/2" F | 1905 |
| C2 | Temperature sensor | G 1/2" F | 1075 |
| T | Thermometer | G 1/2" F | 2130 |
| Universal inlet/outlet | | | |
| U1 | Universal inlet/outlet | G 5/4" F | 2040 |
| U2 | Universal inlet/outlet | G 5/4" F | 1540 |
| U3 | Universal inlet/outlet | G 5/4" F | 1250 |
| U4 | Universal inlet/outlet | G 5/4" F | 550 |
| Others | | | |
| L1 | Flange | 8 x M10 | 640 |
| A1 | Magnesium anode rod | G 5/4" F | 2600 |
| A2 | Magnesium anode rod | G 5/4" F | 640 |