


**RDC 200 Hot Water Storage Tank**

	Main Features	
	Application	Hot water tank intended for DHW heating, with integrated enamelled heat exchanger. It comes fitted with detachable insulation and a magnesium anode rod that protects its inner surface from corrosion. As an option, an electronic anode rod can be installed instead of the magnesium one, for the codes see the Accessories table. If desired, an electric heating element can be installed into the hot water tank.
	Working fluid	water (tank) - water, water-glycol mixture (max. 1:1), water-glycerine mixture (max. 2:1) (heat exchanger)
	Code	12758

**Energy Efficiency Data (as per EC Regulation No. 812/2013)**

Energy efficiency class	C
Static loss	82 W
Storage volume	206 l

**Technical data**

Total DHW tank volume	216 l
Fluid volume in DHW tank	208 l
Heat exchanger volume	8.0 l
Heat exchanger surface area	1.0 m <sup>2</sup>
Max. working temperature in DHW tank	95 °C
Max. working temperature in heat exchanger	110 °C
Max. working pressure in DHW tank	10 bar
Max. working pressure in heat exchanger	10 bar
DHW tank diameter	500 mm
DHW tank diameter with insulation	584 mm
DHW tank overall height	1380 mm
Tipping height	1500 mm
DHW tank empty weight	97 kg

**Power for hot water heating from 10 °C to 45 °C at heating water temperature 60 °C**

Heat exchanger performance	16 kW, (400 l/h)
----------------------------	------------------

**Materials**

DHW tank material	S235JR, inner surf. enamelled (DIN 4753-3)
Heat exchanger material	S235JR+N, outer surf. enamelled (DIN 4753-3)
DHW tank insulation	PU foam (hard)
DHW tank outer surface insulation	plastic

**Accessories**

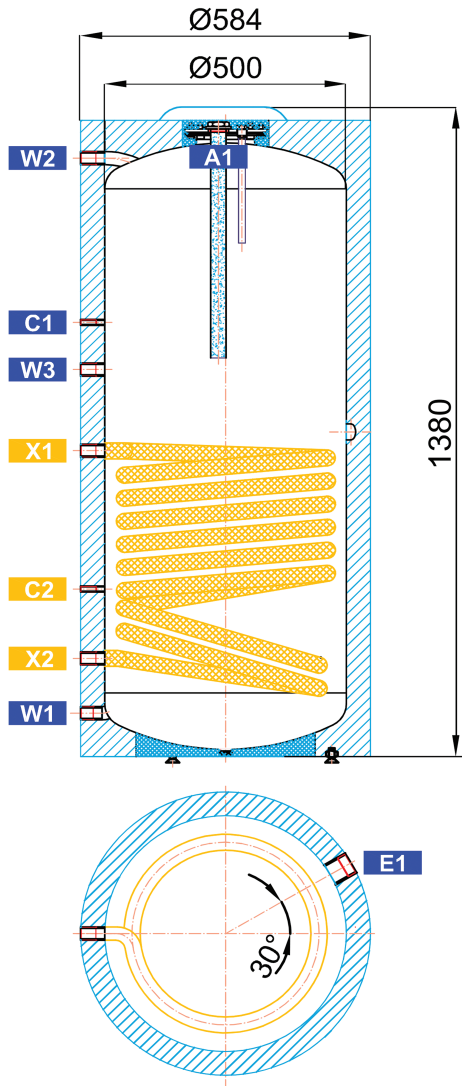
Electric heating element	models ETT-A, D2, M, N, R, S, F2, P, U
Heating element max. length for E1	500 mm
Electronic anode rod	code 9174

**Spare parts (magnesium anode rods)**

Mg anode rod (A1)	code 448
Mg anode rod with flange	code 15847

RDC 200 Hot Water Storage Tank

Dimensions



CONNECTIONS

pos.	description	connection	height [mm]
<b>DHW heating</b>			
W1	Cold water	G 3/4" M	74
W2	Domestic hot water	G 3/4" M	1274
W3	Recirculation	G 3/4" F	816
<b>Auxiliary heat source</b>			
E1	Electric heating element	G 6/4" F	684
<b>Control and safety</b>			
C1	Temperature sensor	G 1/2" F	916
C2	Temperature sensor	G 1/2" F	351
<b>Heat sources</b>			
X1	Supply from heat source	G 3/4" M	644
X2	Return to heat source	G 3/4" M	204
<b>Others</b>			
A1	Magnesium anode rod	G 5/4" F	1330

C2 tapping is supplied incl. adapter G 1/2" M – M12x1.5 and cable gland. Earthing metal strip is run through the insulation next to the upper flange.

RDC 200 Hot Water Storage Tank

Pressure drop diagram

