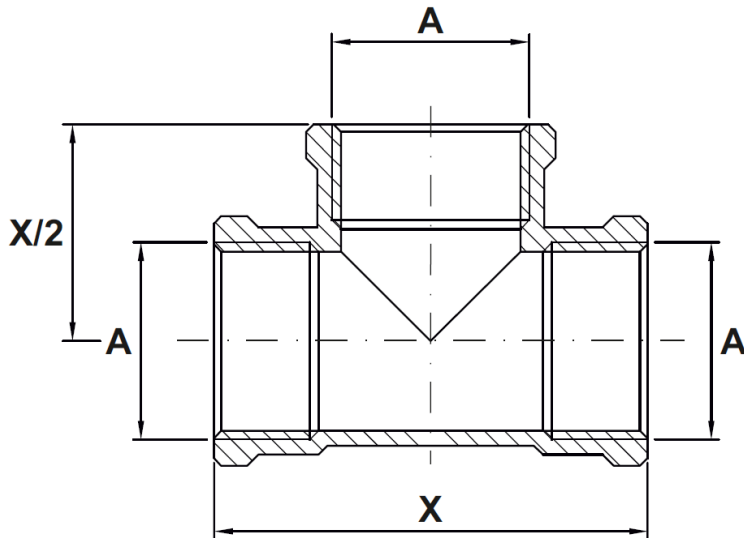


**T-piece with inner threads**

**Dimensions**



Code	Connection	Nominal pressure	Working temperature	Dimensions		Weight	Materials
				X	A		
3206	1/2"	PN 16	max. 160 °C	54 mm	G 1/2" F	110 g	brass CW617N
7180	3/4"			58 mm	G 3/4" F	140 g	
15184	1"			66 mm	G 1" F	205 g	
8757	6/4"			90 mm	G 6/4" F	425 g	