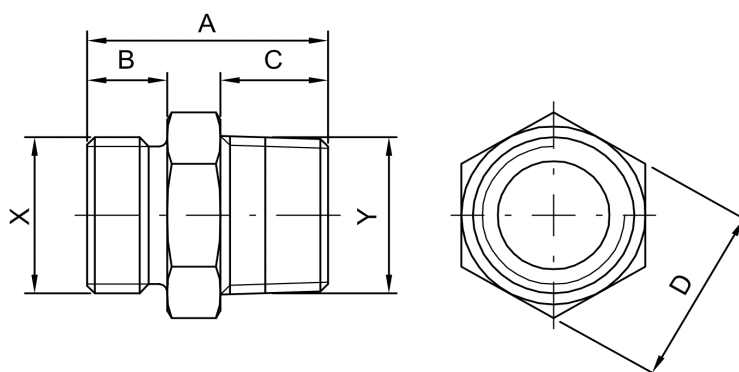


Hex Nipple for gas, air and water



Main Features	
Application	gas, air and water distribution systems
Description	nipple with a tubular pipe thread and wide sealing surface, suitable for gaskets on one side, and with a conical pipe thread on the other side
Working fluid	fuel gases, air, water
Technical Data	
Max. working pressure	16 bar
Max. working temperatur	160 °C
Materials	
Body	brass CW617N

Dimensions



Marking	Dimensions [mm]				X	Y	Weight [g]	Code
	A	B	C	D				
G1/2 x R1/2 M/M	31,4	10,4	14,0	24,0	G 1/2" M	R 1/2" M	40	15596
G3/4 x R3/4 M/M	36,0	12,0	16,1	30,0	G 3/4" M	R 3/4" M	80	15597
G1 x R1 M/M	42,4	13,4	19,0	37,0	G 1" M	R 1" M	115	15598
G1/2 x R3/8 M/M	29,7	10,4	12,3	24,0	G 1/2" M	R 3/8" M	40	15599
G3/4 x R1/2 M/M	34,0	12,0	14,0	30,0	G 3/4" M	R 1/2" M	70	15600
G1 x R3/4 M/M	39,5	13,4	16,1	37,0	G 1" M	R 3/4" M	105	15601